

SACC-DSI-M12FS-4CON-M16 SH

Order No.: 1419771


<http://eshop.phoenixcontact.de/phoenix/treeViewClick.do?UID=1419771>

Sensor/actuator flush-type socket, 4-pos. with shield contact, M12 SPEEDCON, A-encoded, rear/screw mounting with M16 thread, with straight solder connection

**Product notes**

WEEE/RoHS-compliant since:
09/29/2009



| Commercial data | |
|--------------------------|--|
| GTIN (EAN) |  4 046356 534093 |
| Note | Made-to-order |
| sales group | D125 |
| Pack | 20 pcs. |
| Customs tariff | 85366990 |
| Catalog page information | Page 51 (PC-2011) |

<http://www.download.phoenixcontact.com>
Please note that the data given here has been taken from the online catalog. For comprehensive information and data, please refer to the user documentation. The General Terms and Conditions of Use apply to Internet downloads.

Technical data**General data**

| | |
|-----------------------|--------|
| Rated current at 40°C | 4 A |
| Rated voltage | 60 V |
| Number of positions | 4 |
| Volume resistance | ≤ 3 mΩ |

| | |
|---------------------------------|--|
| Insulation resistance | ≥ 100 MΩ |
| Ambient temperature (operation) | -25 °C ... 85 °C (Male connector / female connector) |

General characteristics

| | |
|--------------------------|-------------------------------|
| Standards/regulations | M12 connector IEC 61076-2-101 |
| Coding | D - data |
| Surge voltage category | II |
| Pollution degree | 3 |
| Degree of protection | IP67 |
| Contact material | CuZn |
| Contact surface material | Au |
| Contact carrier material | PA 66 |
| Sealing material | FKM / EPDM |
| Mounting type | PCB mounting |
| Connection method | Solder pins |
| Status display | No |

Certificates / Approvals



Certification UL

Additional products

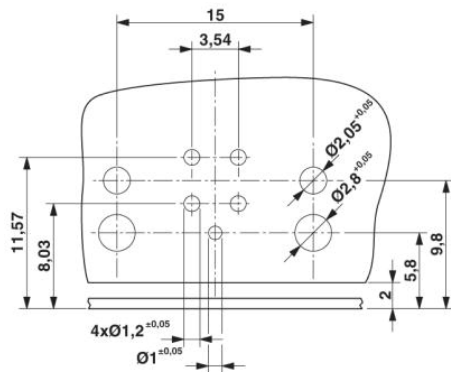
| Item | Designation | Description |
|------|-------------|-------------|
|------|-------------|-------------|

Housing screw connection

| | | |
|---------|-----------------------|---|
| 1432460 | SACC-M12-SCO NUT L 90 | M12-SPEEDCON housing screw connection for M12 female inserts, with flat gasket, for all Speedcon-compatible THR and wave soldering contact carriers |
|---------|-----------------------|---|

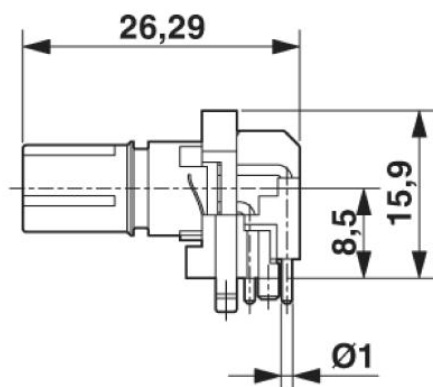
Diagrams/Drawings

Drilling plan/solder pad geometry

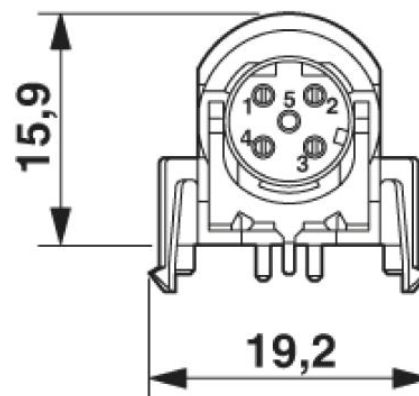


Drilling diagram only valid in connection with the **SACC-M12-SCO NUT L90** housing (order no. 1432460)

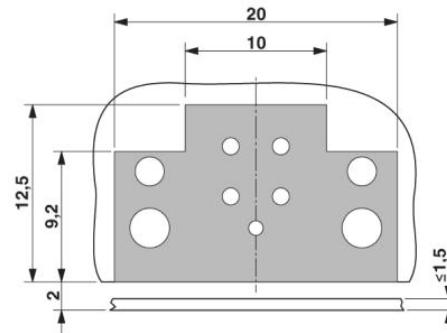
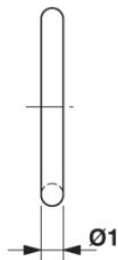
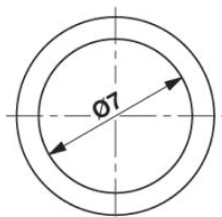
Dimensioned drawing



M12 flush-type connector, socket, contact carrier, side view



M12 flush-type connector, socket, contact carrier, front view

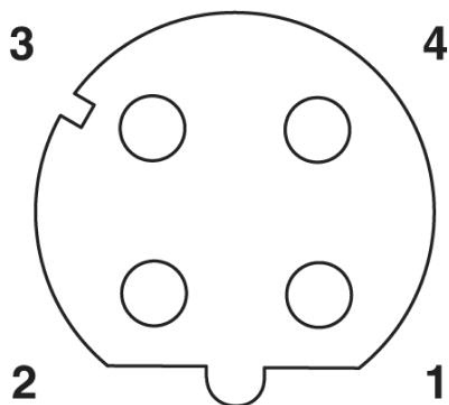


Optionally with O-ring (green) for tight seal when plugged in.

- the axial mating force of 80 N per connector may not be exceeded when using with assembled O-ring!
- Avoid radial forces!

Locked area on the PCB

Schematic diagram



Pin assignment M12 female connector, 4-pos., D-coded, female side

Address

PHOENIX CONTACT Deutschland GmbH
Flachmarktstr. 8
32825 Blomberg, Germany
Phone +49 5235 3 12000
Fax +49 5235 3 41200
<http://www.phoenixcontact.de>



© 2011 Phoenix Contact
Technical modifications reserved;