


SACC-DSI-M12FS-4CON-M16 SH

Order No.: 1419771

<http://eshop.phoenixcontact.de/phoenix/treeViewClick.do?UID=1419771>

Sensor/actuator flush-type socket, 4-pos. with shield contact, M12 SPEEDCON, A-encoded, rear/screw mounting with M16 thread, with straight solder connection

| Commercial data | |
|--------------------------|--|
| GTIN (EAN) |  4 046356 534093 |
| Note | Made-to-order |
| sales group | D125 |
| Pack | 20 pcs. |
| Customs tariff | 85366990 |
| Catalog page information | Page 51 (PC-2011) |

Product notes

WEEE/RoHS-compliant since:
09/29/2009



<http://www.download.phoenixcontact.com>
Please note that the data given here has been taken from the online catalog. For comprehensive information and data, please refer to the user documentation. The General Terms and Conditions of Use apply to Internet downloads.

| Technical data | |
|-----------------------|--------|
| General data | |
| Rated current at 40°C | 4 A |
| Rated voltage | 60 V |
| Number of positions | 5 |
| Volume resistance | ≤ 3 mΩ |

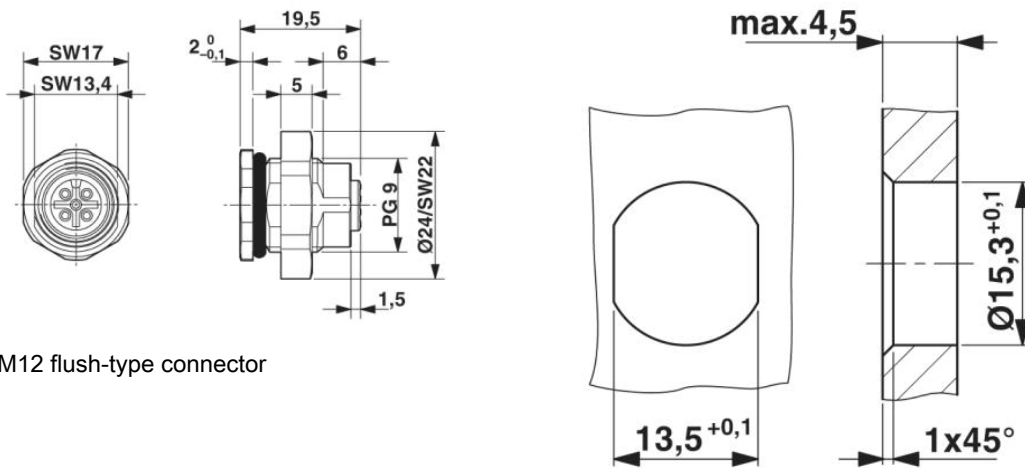
| | |
|---------------------------------|--|
| Insulation resistance | $\geq 100 \text{ M}\Omega$ |
| Ambient temperature (operation) | -25 °C ... 85 °C (Male connector / female connector) |

General characteristics

| | |
|---------------------------------------|------------------------------------|
| Standards/regulations | M12 connector IEC 61076-2-101 |
| Coding | A - standard |
| Surge voltage category | II |
| Pollution degree | 3 |
| Degree of protection | IP67 |
| Contact material | CuZn |
| Contact surface material | Au |
| Contact carrier material | PA 66 |
| Material, knurls | PA 66 |
| Sealing material | Viton |
| Mounting type | Rear mounting Pg9 With locking nut |
| Connection method | Solder cup |
| Conductor cross section stranded max. | 0.25 mm ² |
| Status display | No |

Diagrams/Drawings

Dimensioned drawing

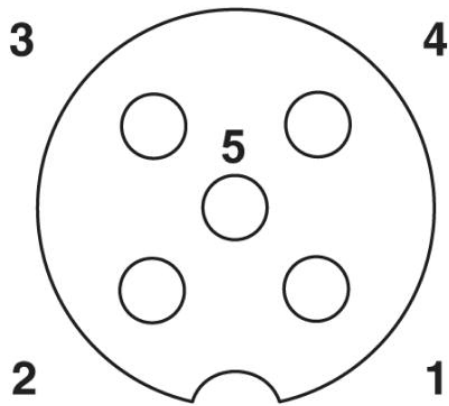


M12 flush-type connector

Housing cutout for M16 fastening thread, mounting panel with feed-through hole (alternatively with surface as protection against rotation)

Schematic diagram

Pin assignment M12 socket, 5-pos., A-coded, socket side view



Address

PHOENIX CONTACT Deutschland GmbH
Flachmarktstr. 8
32825 Blomberg, Germany
Phone +49 5235 3 12000
Fax +49 5235 3 41200
<http://www.phoenixcontact.de>



© 2011 Phoenix Contact
Technical modifications reserved;