


# SACC-DSI-M12FS-4CON-M16 SH

Order No.: 1419771

<http://eshop.phoenixcontact.de/phoenix/treeViewClick.do?UID=1419771>

Sensor/actuator flush-type socket, 4-pos. with shield contact, M12 SPEEDCON, A-encoded, rear/screw mounting with M16 thread, with straight solder connection

## Commercial data

|                          |  |
|--------------------------|--|
| GTIN (EAN)               | <br>4 046356 534093 |
| Note                     | Made-to-order  |
| sales group              | D125   |
| Pack                     | 20 pcs.  |
| Customs tariff           | 85366990   |
| Catalog page information | Page 51 (PC-2011)  |

## Product notes

WEEE/RoHS-compliant since:  
09/29/2009



<http://www.download.phoenixcontact.com>  
Please note that the data given here has been taken from the online catalog. For comprehensive information and data, please refer to the user documentation. The General Terms and Conditions of Use apply to Internet downloads.

## Technical data

### General data

|                       |        |
|-----------------------|--------|
| Rated current at 40°C | 2 A    |
| Rated voltage         | 30 V   |
| Number of positions   | 8      |
| Volume resistance     | ≤ 3 mΩ |

|                                 |  |
|---------------------------------|--|
| Insulation resistance           | ≥ 100 MΩ   |
| Length of cable                 | 0.5 m  |
| Ambient temperature (operation) | -25 °C ... 85 °C (Male connector / female connector) |

#### General characteristics

|                          |                               |
|--------------------------|-------------------------------|
| Standards/regulations    | M12 connector IEC 61076-2-101 |
| Coding                   | A - standard                  |
| Surge voltage category   | II                            |
| Pollution degree         | 3                             |
| Degree of protection     | IP67                          |
| Contact material         | CuZn                          |
| Contact surface material | Au                            |
| Contact carrier material | PA 66                         |
| Material, knurls         | PA 66                         |
| Sealing material         | Viton                         |
| Mounting type            | Front mounting M16 x 1.5      |
| Connection method        | Individual wires              |
| Status display           | No                            |

#### Conductor data

|                                    |  |
|------------------------------------|--|
| Cable type                         | TPE litz wire                                      |
| Conductor cross section            | 0.25 mm <sup>2</sup>                               |
| AWG signal line                    | 24   |
| Conductor structure signal line    | 14x 0.15 mm  |
| Core diameter including insulation | 1.15 mm ±0.07 mm                                   |
| Thickness, insulation              | 0.21 mm  |
| Wire colors                        | Brown, blue, white, gray, pink, green, yellow, red |
| Insulation resistance              | ≥ 20 MΩ*km   |
| Conductor resistance               | ≤ 80 mΩ/m  |
| Nominal voltage, conductor         | 300 V  |
| Test voltage, conductor            | 2000 V AC  |
| Material conductor insulation      | TPE  |
| Conductor material                 | Tin-plated Cu litz wires                           |
| Ambient temperature (operation)    | -25 °C ... 90 °C (cable, fixed installation)       |

**Certificates / Approvals**

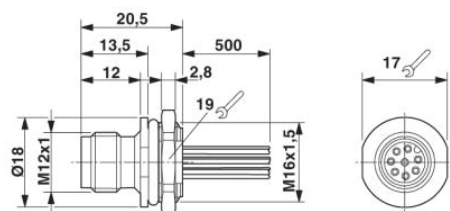


Certification

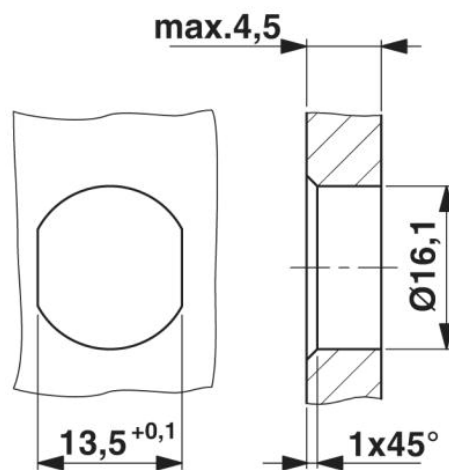
UL

**Diagrams/Drawings**

Dimensioned drawing

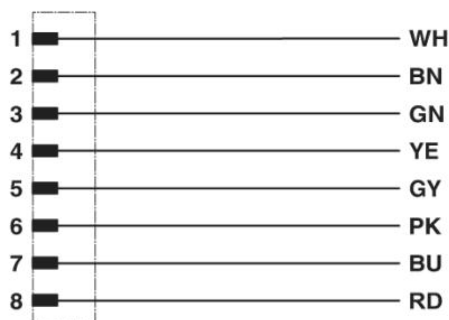


M12 flush-type connector



Housing cutout for M12 fastening thread, mounting panel with feed-through hole (alternative with surface as protection against rotation)

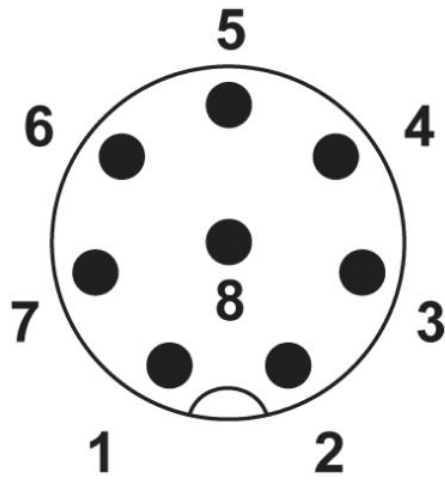
Circuit diagram



Contact assignment of the M12 plug

Schematic diagram

Pin assignment M12 socket, 8-pos., A-coded, view female side



**Address**

PHOENIX CONTACT Deutschland GmbH  
Flachmarktstr. 8  
32825 Blomberg, Germany  
Phone +49 5235 3 12000  
Fax +49 5235 3 41200  
<http://www.phoenixcontact.de>



© 2011 Phoenix Contact  
Technical modifications reserved;