


SACC-DSI-M12FS-4CON-M16 SH

Order No.: 1419771

<http://eshop.phoenixcontact.de/phoenix/treeViewClick.do?UID=1419771>

Sensor/actuator flush-type socket, 4-pos. with shield contact, M12 SPEEDCON, A-encoded, rear/screw mounting with M16 thread, with straight solder connection

Commercial data	
GTIN (EAN)	 4 046356 534093
Note	Made-to-order
sales group	D125
Pack	20 pcs.
Customs tariff	85366990
Catalog page information	Page 51 (PC-2011)

Product notes

WEEE/RoHS-compliant since:
09/29/2009



<http://www.download.phoenixcontact.com>
Please note that the data given here has been taken from the online catalog. For comprehensive information and data, please refer to the user documentation. The General Terms and Conditions of Use apply to Internet downloads.

Technical data	
General data	
Rated current at 40°C	4 A
Rated voltage	60 V
Number of positions	5
Volume resistance	≤ 3 mΩ

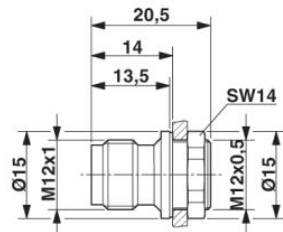
Insulation resistance	$\geq 100 \text{ M}\Omega$
Ambient temperature (operation)	-25 °C ... 85 °C (Male connector / female connector)

General characteristics

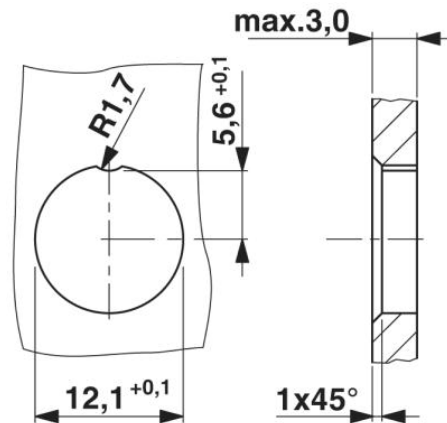
Standards/regulations	M12 connector IEC 61076-2-101
Coding	A - standard
Surge voltage category	II
Pollution degree	3
Degree of protection	IP67
Contact material	CuZn
Contact surface material	Au
Contact carrier material	PA 66
Material, knurls	PA 66
Sealing material	Viton
Mounting type	Front mounting M12 x 1 With flat nut
Connection method	Solder cup
Conductor cross section stranded max.	0.25 mm ²
Status display	No

Diagrams/Drawings

Dimensioned drawing

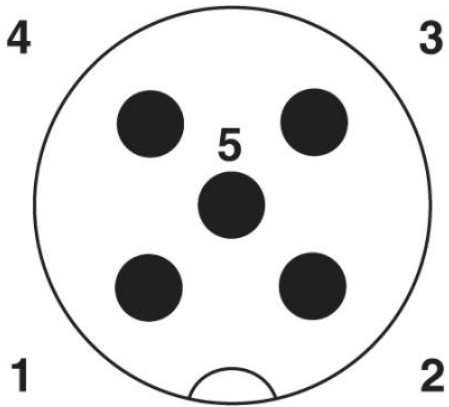


M12 flush-type connector



Housing cutout for M12 fastening thread, mounting panel with feed-through hole

Schematic diagram



Pin assignment M12 male connector, 5-pos., A-coded, male side

Address

PHOENIX CONTACT Deutschland GmbH
Flachmarktstr. 8
32825 Blomberg, Germany
Phone +49 5235 3 12000
Fax +49 5235 3 41200
<http://www.phoenixcontact.de>



© 2011 Phoenix Contact
Technical modifications reserved;