


SACC-E-M12MS-8CON-M12 PSCUP

Order No.: 1436440

<http://eshop.phoenixcontact.de/phoenix/treeViewClick.do?UID=1436440>Sensor/actuator flush-type connector, socket, 8-pos., M12, A-coded,
front/screw mounting with M12 thread, with solder cups, plastic version

| Commercial data | |
|--------------------------|--|
| GTIN (EAN) |  4 046356 438391 |
| sales group | D125 |
| Pack | 20 pcs. |
| Customs tariff | 85366990 |
| Catalog page information | Page 36 (PC-2011) |

Product notes

WEEE/RoHS-compliant since:
07/30/2008

<http://www.download.phoenixcontact.com>
Please note that the data given here has been taken from the online catalog. For comprehensive information and data, please refer to the user documentation. The General Terms and Conditions of Use apply to Internet downloads.

Technical data

General data

| | |
|-----------------------|--------|
| Rated current at 40°C | 4 A |
| Rated voltage | 60 V |
| Number of positions | 5 |
| Volume resistance | ≤ 3 mΩ |

| | |
|---------------------------------|--|
| Insulation resistance | ≥ 100 MΩ |
| Ambient temperature (operation) | -25 °C ... 85 °C (Male connector / female connector) |

General characteristics

| | |
|--------------------------|-------------------------------------|
| Standards/regulations | M12 connector IEC 61076-2-101 |
| Coding | A - standard |
| Surge voltage category | II |
| Pollution degree | 3 |
| Degree of protection | IP67 |
| Contact material | CuZn |
| Contact surface material | Ni/Au |
| Contact carrier material | PA 66 |
| Material, knurls | Zinc die-cast, nickel-plated |
| Sealing material | NBR |
| Mounting type | Rear mounting M12 x 1 With flat nut |
| Connection method | Solder pins |
| Status display | No |

Certificates / Approvals

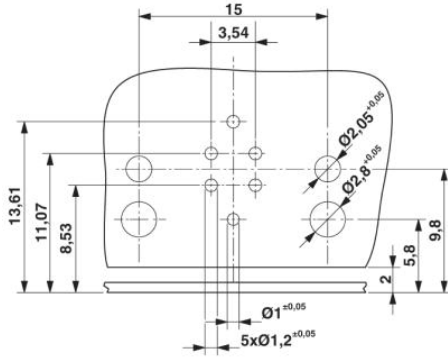


Certification

UL

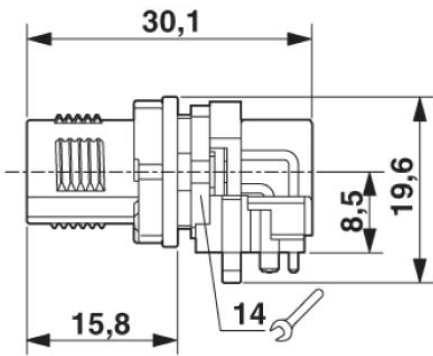
Diagrams/Drawings

Drilling plan/solder pad geometry

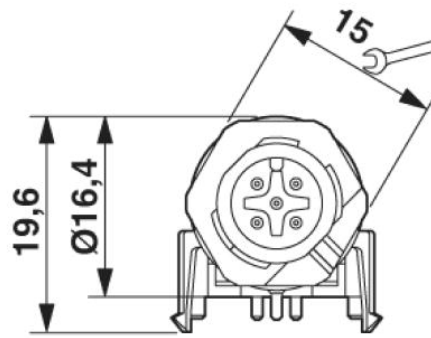


Drilling diagram

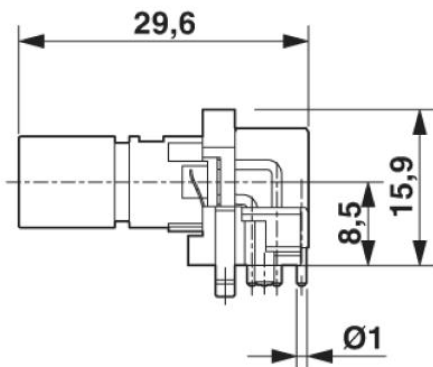
Dimensioned drawing



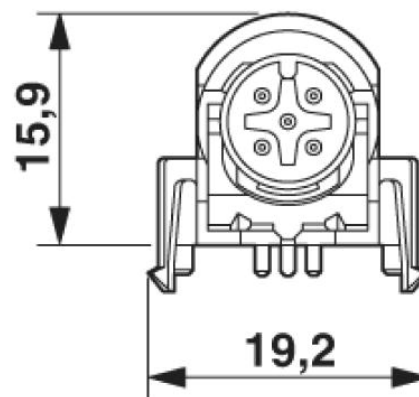
M12 flush-type connector, connector, side view



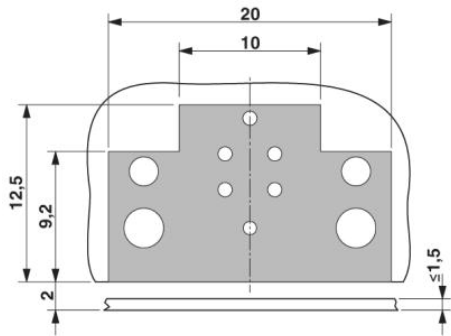
M12 flush-type connector, connector, front view



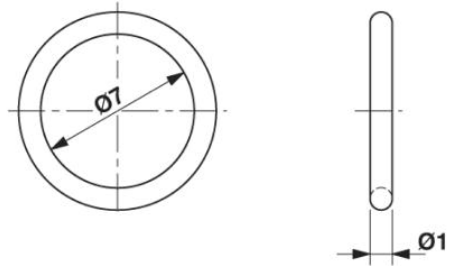
M12 flush-type connector, connector, contact carrier, side view



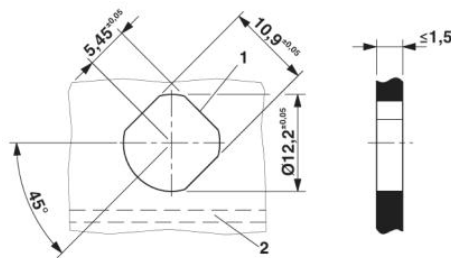
M12 flush-type connector, plug, contact carrier, front view



Locked area on the PCB

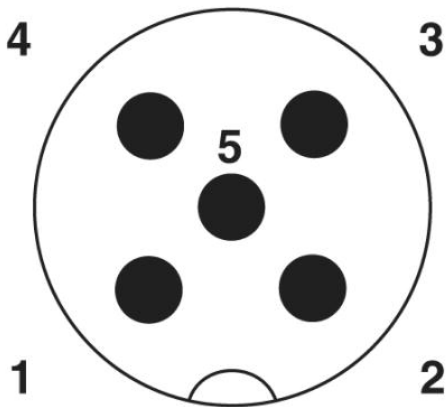


Optionally with O-ring (green) for tight seal when plugged in.
 - the axial mating force of 80 N per connector may not be exceeded when using with assembled O-ring!
 - Avoid radial forces!



Panel cutout, view from front in case of horizontal PCB (2). The 3rd flat area is optional (1).

Schematic diagram



Pin assignment M12 male connector, 5-pos., A-coded, male side

Address

PHOENIX CONTACT Deutschland GmbH
Flachmarktstr. 8
32825 Blomberg, Germany
Phone +49 5235 3 12000
Fax +49 5235 3 41200
<http://www.phoenixcontact.de>



© 2011 Phoenix Contact
Technical modifications reserved;