


SACC-E-M12MS-8CON-M12 PSCUP

Order No.: 1436440

<http://eshop.phoenixcontact.de/phoenix/treeViewClick.do?UID=1436440>Sensor/actuator flush-type connector, socket, 8-pos., M12, A-coded,
front/screw mounting with M12 thread, with solder cups, plastic version

Commercial data	
GTIN (EAN)	 4 046356 438391
sales group	D125
Pack	20 pcs.
Customs tariff	85366990
Catalog page information	Page 36 (PC-2011)

Product notes

WEEE/RoHS-compliant since:
07/30/2008

<http://www.download.phoenixcontact.com>
Please note that the data given here has been taken from the online catalog. For comprehensive information and data, please refer to the user documentation. The General Terms and Conditions of Use apply to Internet downloads.

Technical data

General data

Rated current at 40°C	4 A
Rated voltage	60 V
Number of positions	4
Volume resistance	≤ 3 mΩ

Insulation resistance	≥ 100 MΩ
Ambient temperature (operation)	-25 °C ... 85 °C (Male connector / female connector)

General characteristics

Standards/regulations	M12 connector IEC 61076-2-101
Coding	A - standard
Surge voltage category	II
Pollution degree	3
Degree of protection	IP67
Contact material	CuZn
Contact surface material	Au
Contact carrier material	PA 66
Sealing material	FKM / EPDM
Mounting type	PCB mounting
Connection method	Solder pins
Status display	No

Certificates / Approvals



Certification UL

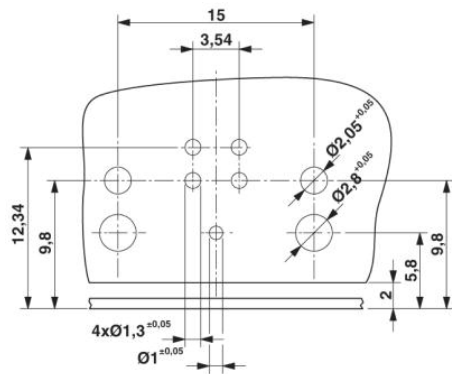
Additional products

Item	Designation	Description
1436709	SACC-M12-SCO PLUG L90	M12-SPEEDCON housing screw connection for M12 male inserts, with flat gasket, for all Speedcon-compatible THR and wave soldering contact carriers

Housing screw connection

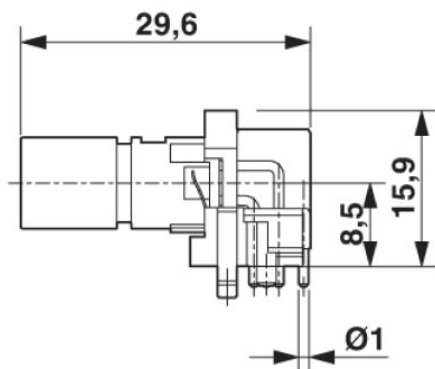
Diagrams/Drawings

Drilling plan/solder pad geometry

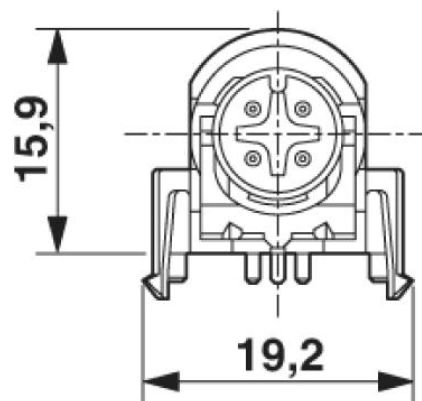


Drilling diagram only valid in connection with the **SACC-M12-SCO PLUG L90** housing (order no. 1436709)

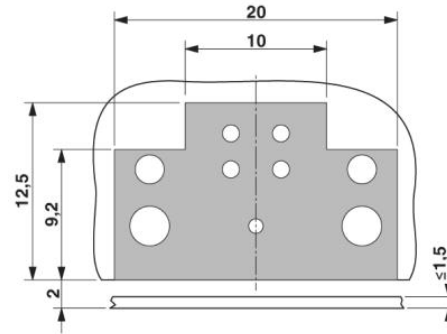
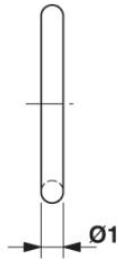
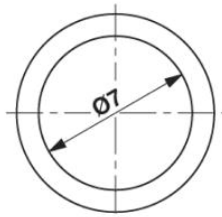
Dimensioned drawing



M12 flush-type connector, connector, contact carrier, side view



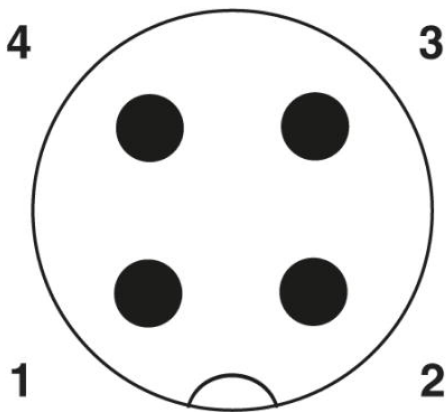
M12 flush-type connector, plug, contact carrier, front view



Optionally with O-ring (green) for tight seal when plugged in.
- the axial mating force of 80 N per connector may not be exceeded when using with assembled O-ring!
- Avoid radial forces!

Locked area on the PCB

Schematic diagram



Pin assignment M12 plug, 4-pos., A-coded, view plug side

Address

PHOENIX CONTACT Deutschland GmbH
Flachmarktstr. 8
32825 Blomberg, Germany
Phone +49 5235 3 12000
Fax +49 5235 3 41200
<http://www.phoenixcontact.de>



© 2011 Phoenix Contact
Technical modifications reserved;