


SACC-DSIV-MS-5CON-L180SCOTHRSH

Order No.: 1439968



<http://eshop.phoenixcontact.de/phoenix/treeViewClick.do?UID=1439968>

Sensor/actuator flush-type connector, connector, 5-pos., M12 SPEEDCON, shielded, A-coded, rear/screw mounting with M12 thread, with straight THR solder connection

Commercial data	
GTIN (EAN)	4 046356 476683 
sales group	D125
Pack	60 pcs.
Customs tariff	85366990
Catalog page information	Page 387 (PC-2011)

Product notes

WEEE/RoHS-compliant since: 12/01/2008



<http://www.download.phoenixcontact.com>
Please note that the data given here has been taken from the online catalog. For comprehensive information and data, please refer to the user documentation. The General Terms and Conditions of Use apply to Internet downloads.

Technical data	
General data	
Rated current at 40°C	4 A
Rated voltage	30 V
Number of positions	4
Volume resistance	≤ 3 mΩ

Insulation resistance	≥ 100 MΩ
Length of cable	0.5 m
Ambient temperature (operation)	-25 °C ... 85 °C (female)

General characteristics

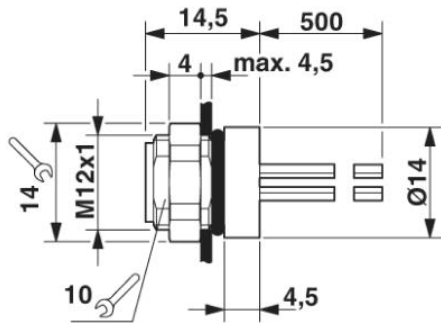
Standards/regulations	M8 connector IEC 61076-2-104
Surge voltage category	II
Pollution degree	3
Degree of protection	IP67
Contact material	Cu alloy
Contact surface material	Au
Contact carrier material	PUR / PA66
Material, knurls	Nickel-plated brass
Sealing material	Viton
Mounting type	Rear mounting M12 x 1
Connection method	Individual wires
Status display	No

Conductor data

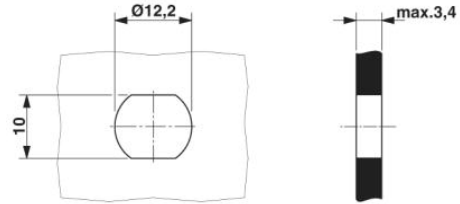
Cable type	TPE litz wire
Conductor cross section	0.25 mm ²
AWG signal line	24
Conductor structure signal line	14x 0.15 mm
Core diameter including insulation	1.15 mm ±0.07 mm
Thickness, insulation	0.21 mm
Wire colors	Black, brown, blue, white
Insulation resistance	≥ 20 MΩ*km
Conductor resistance	≥ 80 Ω/km
Nominal voltage, conductor	300 V
Test voltage, conductor	2000 V AC
Material conductor insulation	TPE
Conductor material	Tin-plated Cu litz wires
Ambient temperature (operation)	-25 °C ... 90 °C (cable, fixed installation)

Diagrams/Drawings

Dimensioned drawing

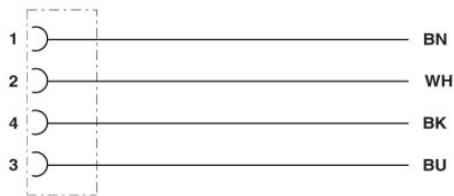


M8 flush-type socket



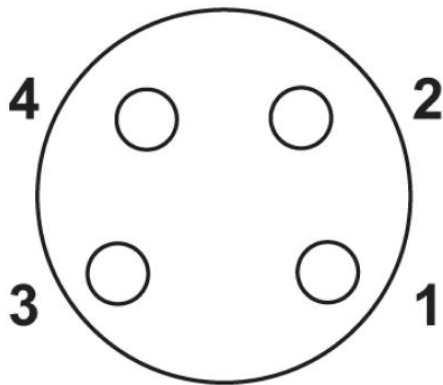
Housing cutout for M8 flush-type connector, socket, one-section

Circuit diagram



Contact assignment of M8 plugs/sockets

Schematic diagram



Pin assignment M8 socket, 4-pos., view female side

Address

PHOENIX CONTACT Deutschland GmbH
Flachmarktstr. 8
32825 Blomberg, Germany
Phone +49 5235 3 12000
Fax +49 5235 3 41200
<http://www.phoenixcontact.de>



© 2011 Phoenix Contact
Technical modifications reserved;