


**SACC-DSIV-MS-5CON-L180SCOTHRSH**

Order No.: 1439968

<http://eshop.phoenixcontact.de/phoenix/treeViewClick.do?UID=1439968>

Sensor/actuator flush-type connector, connector, 5-pos., M12  
SPEEDCON, shielded, A-coded, rear/screw mounting with M12  
thread, with straight THR solder connection

**Commercial data**

GTIN (EAN)	 4 046356 476683
sales group	D125
Pack	60 pcs.
Customs tariff	85366990
Catalog page information	Page 387 (PC-2011)

**Product notes**

WEEE/RoHS-compliant since:  
12/01/2008



[http://  
www.download.phoenixcontact.com](http://www.download.phoenixcontact.com)  
Please note that the data given  
here has been taken from the  
online catalog. For comprehensive  
information and data, please refer  
to the user documentation. The  
General Terms and Conditions of  
Use apply to Internet downloads.

**Technical data****General data**

Rated current at 40°C	4 A
Rated voltage	60 V
Number of positions	3
Volume resistance	≤ 3 mΩ

Insulation resistance	≥ 100 MΩ
Length of cable	0.5 m
Ambient temperature (operation)	-25 °C ... 85 °C (Male connector / female connector)

#### General characteristics

Standards/regulations	M8 connector IEC 61076-2-104
Surge voltage category	II
Pollution degree	3
Degree of protection	IP67
Contact material	Cu alloy
Contact surface material	Au
Contact carrier material	PUR / PA66
Material, knurls	Nickel-plated brass
Sealing material	Viton
Mounting type	Front mounting M8 x 0.5
Connection method	Individual wires
Status display	No

#### Conductor data

Cable type	TPE litz wire
Conductor cross section	0.25 mm <sup>2</sup>
AWG signal line	24
Conductor structure signal line	14x 0.15 mm
Core diameter including insulation	1.15 mm ±0.07 mm
Thickness, insulation	0.21 mm
Wire colors	Brown, blue, black
Insulation resistance	≥ 20 MΩ*km
Conductor resistance	≥ 80 Ω/km
Nominal voltage, conductor	300 V
Test voltage, conductor	2000 V AC
Material conductor insulation	TPE
Conductor material	Tin-plated Cu litz wires

#### Certificates / Approvals



Certification

CUL, GOST, UL

### Accessories

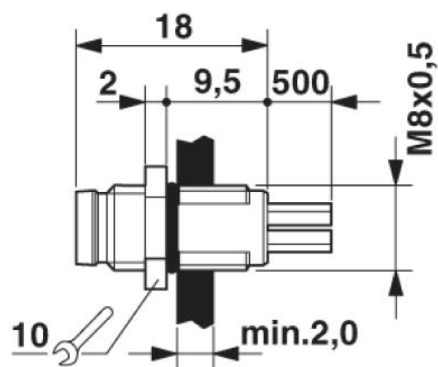
Item	Designation	Description
------	-------------	-------------

### Assembly

1504071	SACC-E-MU-M 8	Flat nut with M8 thread
---------	---------------	-------------------------

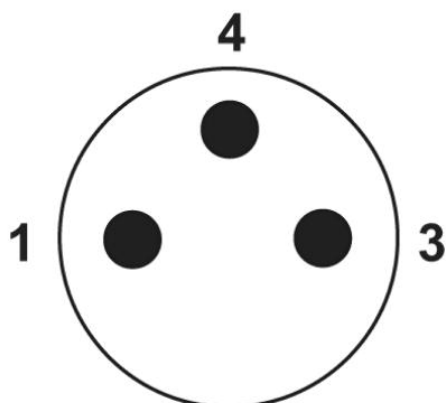
### Diagrams/Drawings

Dimensioned drawing



M8 flush-type connector

Schematic diagram



Pin assignment M8 plug, 3-pos., view male side

**Address**

PHOENIX CONTACT Deutschland GmbH  
Flachmarktstr. 8  
32825 Blomberg, Germany  
Phone +49 5235 3 12000  
Fax +49 5235 3 41200  
<http://www.phoenixcontact.de>



© 2011 Phoenix Contact  
Technical modifications reserved;