


SACC-DSIV-MS-5CON-L180SCOTHRSH

Order No.: 1439968

<http://eshop.phoenixcontact.de/phoenix/treeViewClick.do?UID=1439968>

Sensor/actuator flush-type connector, connector, 5-pos., M12
SPEEDCON, shielded, A-coded, rear/screw mounting with M12
thread, with straight THR solder connection

Commercial data	
GTIN (EAN)	 4 046356 476683
sales group	D125
Pack	60 pcs.
Customs tariff	85366990
Catalog page information	Page 387 (PC-2011)

Product notes

WEEE/RoHS-compliant since:
12/01/2008

[http://
www.download.phoenixcontact.com](http://www.download.phoenixcontact.com)
Please note that the data given
here has been taken from the
online catalog. For comprehensive
information and data, please refer
to the user documentation. The
General Terms and Conditions of
Use apply to Internet downloads.

Technical data	
General data	
Rated current at 40°C	4 A
Rated voltage	30 V
Number of positions	4
Volume resistance	≤ 3 mΩ

Insulation resistance	≥ 100 MΩ
Length of cable	0.5 m
Ambient temperature (operation)	-25 °C ... 85 °C (Male connector / female connector)

General characteristics

Standards/regulations	M8 connector IEC 61076-2-104
Surge voltage category	II
Pollution degree	3
Degree of protection	IP67
Contact material	Cu alloy
Contact surface material	Au
Contact carrier material	PUR / PA66
Material, knurls	Nickel-plated brass
Sealing material	Viton
Mounting type	Front mounting M8 x 0.5
Connection method	Individual wires
Status display	No

Conductor data

Cable type	TPE litz wire
Conductor cross section	0.25 mm ²
AWG signal line	24
Conductor structure signal line	14x 0.15 mm
Core diameter including insulation	1.15 mm ±0.07 mm
Thickness, insulation	0.21 mm
Wire colors	Black, brown, blue, white
Insulation resistance	≥ 20 MΩ*km
Conductor resistance	≥ 80 Ω/km
Nominal voltage, conductor	300 V
Test voltage, conductor	2000 V AC
Material conductor insulation	TPE
Conductor material	Tin-plated Cu litz wires

Certificates / Approvals



Certification

CUL, GOST, UL

Accessories

Item	Designation	Description
------	-------------	-------------

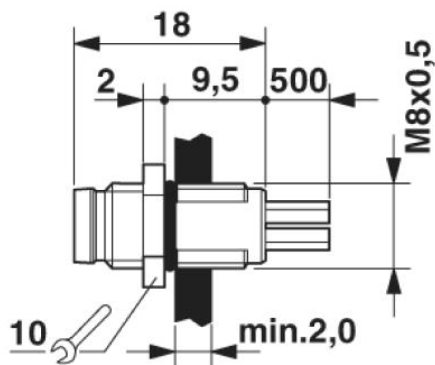
Assembly

1504071	SACC-E-MU-M 8	Flat nut with M8 thread
---------	---------------	-------------------------

Diagrams/Drawings

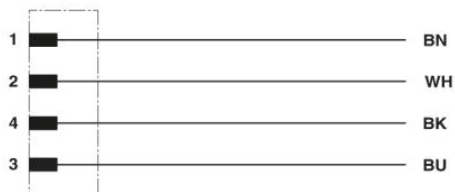
Dimensioned drawing

M8 flush-type connector



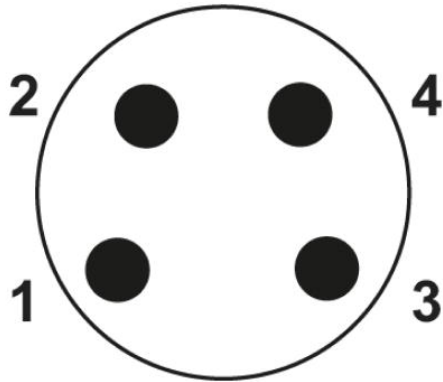
Circuit diagram

Contact assignment of M8 plugs/sockets



Schematic diagram

Pin assignment M8 plug, 4-pos., view male side



Address

PHOENIX CONTACT Deutschland GmbH
Flachmarktstr. 8
32825 Blomberg, Germany
Phone +49 5235 3 12000
Fax +49 5235 3 41200
<http://www.phoenixcontact.de>



© 2011 Phoenix Contact
Technical modifications reserved;