


SACC-DSIV-MS-5CON-L180SCOTHRSH

Order No.: 1439968

<http://eshop.phoenixcontact.de/phoenix/treeViewClick.do?UID=1439968>

Sensor/actuator flush-type connector, connector, 5-pos., M12
SPEEDCON, shielded, A-coded, rear/screw mounting with M12
thread, with straight THR solder connection

Commercial data	
GTIN (EAN)	 4 046356 476683
sales group	D125
Pack	60 pcs.
Customs tariff	85366990
Catalog page information	Page 387 (PC-2011)

Product notes

WEEE/RoHS-compliant since:
12/01/2008

[http://
www.download.phoenixcontact.com](http://www.download.phoenixcontact.com)
Please note that the data given
here has been taken from the
online catalog. For comprehensive
information and data, please refer
to the user documentation. The
General Terms and Conditions of
Use apply to Internet downloads.

Technical data	
General characteristics	
Material, knurls	Nickel-plated brass
Mounting type	Pg9

Certificates / Approvals



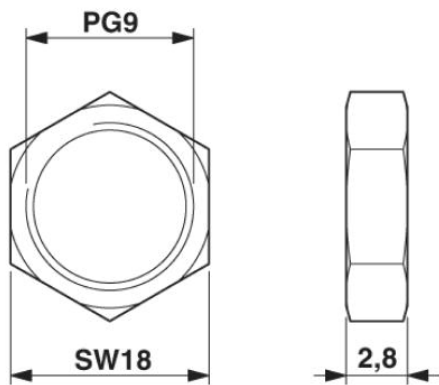
Certification

GOST

Diagrams/Drawings

Dimensioned drawing

Flat nut Pg9



Address

PHOENIX CONTACT Deutschland GmbH
Flachmarktstr. 8
32825 Blomberg, Germany
Phone +49 5235 3 12000
Fax +49 5235 3 41200
<http://www.phoenixcontact.de>



© 2011 Phoenix Contact
Technical modifications reserved;