

SACB-8/ 8-10,0PUR SCO

Order No.: 1517055



<http://eshop.phoenixcontact.de/phoenix/treeViewClick.do?UID=1517055>


Sensor/actuator box, M12-SPEEDCON-socket, Number of slots: 8,
Number of positions: 4, Slot assignment: Single, Status indication: No,
Universal; Master cable connection: Fixed connection 180°, PUR/PVC,
Cable length: 10 m, Shielding: No



Product notes

WEEE/RoHS-compliant since:
05/05/2006



Commercial data	
GTIN (EAN)	 4 017918 967727
sales group	D101
Pack	1 pcs.
Customs tariff	85366990
Catalog page information	Page 182 (PC-2011)

<http://www.download.phoenixcontact.com>
Please note that the data given here has been taken from the online catalog. For comprehensive information and data, please refer to the user documentation. The General Terms and Conditions of Use apply to Internet downloads.

Technical data

General data

Rated voltage	120 V
Max. operating voltage U_{max}	135 V
Current carrying capacity per I/O signal	2 A

Current carrying capacity per slot	4 A
Total rated current	12 A
Number of positions	4
Number of slots	8
Degree of protection	IP65/IP67/IP69K
Inflammability class acc. to UL 94	V0
Ambient temperature (operation)	-30 °C ... 90 °C
Sensor/actuator connection system	M12-SPEEDCON-socket

Master cable connection data

Connection method	Fixed connection
Length of cable	10 m
Ambient temperature (operation)	-40 °C ... 90 °C (for fixed installation) -5 °C ... 80 °C (for flexible installation)
Tightening torque slot sensor/actuator cable	0.4 Nm
Tightening torque screw plug	0.4 Nm

Insulation material

Housing material	PBT
Material of the moulding mass	PUR
Contact material	Cu alloy
Contact surface material	Gold-plated
Contact carrier material	PA
Material of threaded sleeve	Zinc die-cast
Material of threaded sleeve surface	Nickel-plated
Material, O-ring	NBR

Pin assignment

Slot/position = Wire color or connection	1 / 4 (A) = WH
--	----------------

	2 / 4 (A) = GN
	3 / 4 (A) = YE
	4 / 4 (A) = GY
	5 / 4 (A) = PK
	6 / 4 (A) = RD
	7 / 4 (A) = BK
	8 / 4 (A) = VT
	1-8 / 1 (+ 120 V) = BN
	1-8 / 3 (0 V) = BU
	1-8 / 5 (PE) = GN/YE

Conductor data

Cable type	Master cable suitable for flexible cable conduit
Cable abbreviation	LiYY11Y-HF
UL AWM Style	20549
Conductor cross section	8x 0.34 mm ² (signal line) 3x 0.75 mm ² (power line)
AWG signal line	22
Conductor structure signal line	19x 0.15 mm
AWG power supply	18
Conductor structure, voltage supply	42x 0.15 mm
Core diameter including insulation	1.3 mm ±0.1 mm (signal line) 1.8 mm ±0.1 mm (power line)
Thickness, insulation	≥ 0.15 mm (Inner sheath) ≥ 0.38 mm (Outer cable sheath)
External cable diameter	8.5 mm ± 0.2 mm
External sheath, color	Black RAL 9005
Nominal voltage, conductor	300 V
Test voltage, conductor	2000 V
Overall twist	Wires twisted in layers
Outer sheath, material	PUR
Material, inner sheath	PVC
Material conductor insulation	PVC
Conductor material	Bare Cu litz wires
Smallest bending radius, fixed installation	85 mm
Smallest bending radius, movable installation	85 mm

Number of bending cycles	1500000
Bending radius	85 mm
Traversing path	2 m
Traversing rate	2 m/s
Ambient temperature (operation)	-40 °C ... 90 °C (cable, fixed installation)
	-5 °C ... 80 °C (cable, flexible installation)
Special properties	Silicone-free
Flame resistance	DIN EN 50265
Resistance to oil	As per VDE 0472 Part 803
Other resistance	Highly resistant to acids, alkaline solutions and solvents

Certificates / Approvals



Certification CUL, UL

Accessories

Item	Designation	Description
Marking		
0804963	SS-ZB 17,5 WH	Contact marker Zack strip, unprinted: 5-section, for snapping into equipment and components with special marker carrier, can be labeled with M-PEN, CMS system or label BMKT 17.5 x 8, lettering field: 17.5 x 8 mm, color: white

Protection and sealing elements

1553129	PROT-MS SCO	M12 screw plug with SPEEDCON quick locking for unoccupied M12 sockets of the sensor/actuator cables, boxes and flush-type connectors
---------	-------------	--

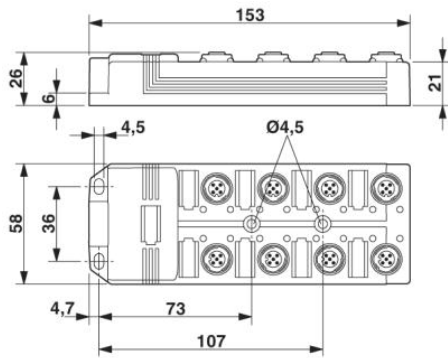
Tools

1208432	SAC BIT M12-D15	Nut for assembling sensor/actuator cables with M12 connector and for M12 connectors with QUICKON fast connection technology, for 4 mm hexagonal drive
1208445	SACC BIT M12-D20	Nut for assembling SACC M12 connectors for free assembly, excluding M12 connectors with QUICKON fast connection technology, for 4 mm hexagonal drive

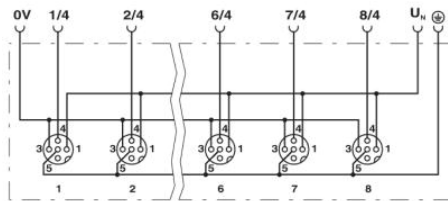
1208429	TSD 04 SAC	Torque screwdriver, with preset torque of 0.4 Nm and 4 mm hexagonal drive for M12 connectors
---------	------------	--

Diagrams/Drawings

Dimensioned drawing

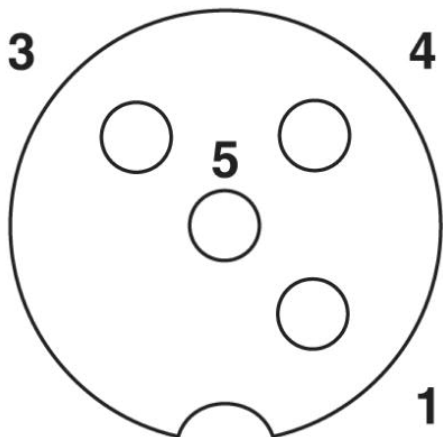


Circuit diagram



Schematic diagram

M12 slot, socket, 4-pos.



Address

PHOENIX CONTACT Inc., USA
586 Fulling Mill Road
Middletown, PA 17057, USA
Phone (800) 888-7388
Fax (717) 944-1625
<http://www.phoenixcon.com>



© 2011 Phoenix Contact
Technical modifications reserved;