


SAC-3P-Y/2XM 8FS SCO

Order No.: 1523984

<http://eshop.phoenixcontact.de/phoenix/treeViewClick.do?UID=1523984>Y-distributor/ connector M12, with female connector M8, 3-pos.
distributor

<http://www.download.phoenixcontact.com>
Please note that the data given here has been taken from the online catalog. For comprehensive information and data, please refer to the user documentation. The General Terms and Conditions of Use apply to Internet downloads.

Commercial data

GTIN (EAN)	 4 046356 115209
sales group	D116
Pack	5 pcs.
Customs tariff	85366990
Catalog page information	Page 160 (PC-2011)

Technical data

General data

Rated current at 40°C	4 A
Rated voltage	60 V
Number of positions	3
Volume resistance	≤ 5 mΩ
Insulation resistance	≥ 10 GΩ
Ambient temperature (operation)	-25 °C ... 90 °C

General characteristics

Standards/regulations	M12 connector IEC 61076-2-101
-----------------------	-------------------------------

	M8 connector IEC 61076-2-104
Coding	A - standard
Center distance	12 mm
Surge voltage category	II
Pollution degree	3
Degree of protection	IP65/IP67
Insertion/withdrawal cycles	≥ 100
Torque	0.4 Nm (M12 connector) 0.2 Nm (M8 plug-in connectors)
Contact material	CuZn
Contact surface material	Ni/Au
Contact carrier material	TPU GF
Material of grip body	TPU, hardly inflammable, self-extinguishing
Material, knurls	Zinc die-cast, nickel-plated
Sealing material	NBR
Status display	No

Accessories

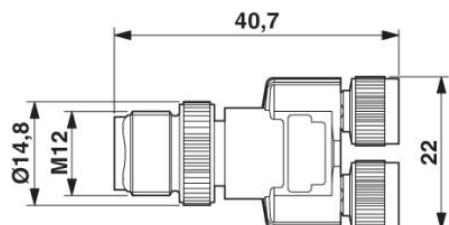
Item	Designation	Description
Protection and sealing elements		
1682540	PROT-M8	An M8 screw plug for the unoccupied M8 sockets of the sensor/ actuator cable, boxes and flush-type connectors
1553129	PROT-MS SCO	M12 screw plug with SPEEDCON quick locking for unoccupied M12 sockets of the sensor/actuator cables, boxes and flush-type connectors

Tools

1208432	SAC BIT M12-D15	Nut for assembling sensor/actuator cables with M12 connector and for M12 connectors with QUICKON fast connection technology, for 4 mm hexagonal drive
1208461	SAC BIT M8-D10	Nut for assembling sensor/actuator cables with M8 connector and for M8 connectors with QUICKON fast connection technology, for 4 mm hexagonal drive
1208487	TSD 02 SAC	Torque screwdriver, with preset torque of 0.2 Nm and 4 mm hexagonal drive for M8 connectors
1208429	TSD 04 SAC	Torque screwdriver, with preset torque of 0.4 Nm and 4 mm hexagonal drive for M12 connectors

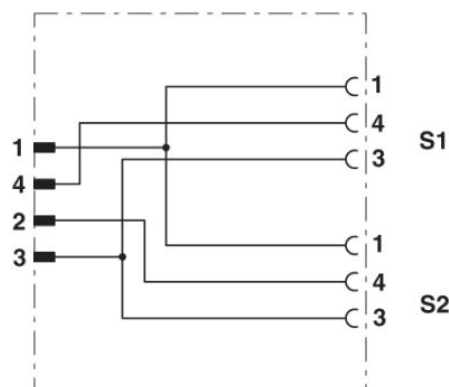
Diagrams/Drawings

Dimensioned drawing



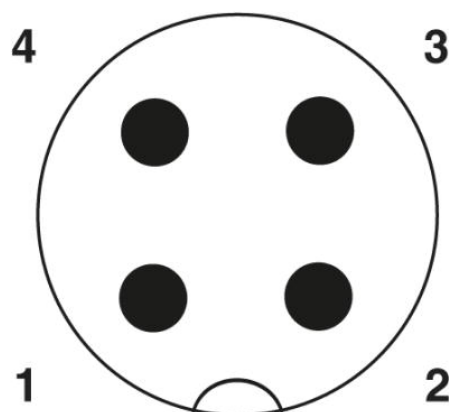
M12 Y distributor

Circuit diagram

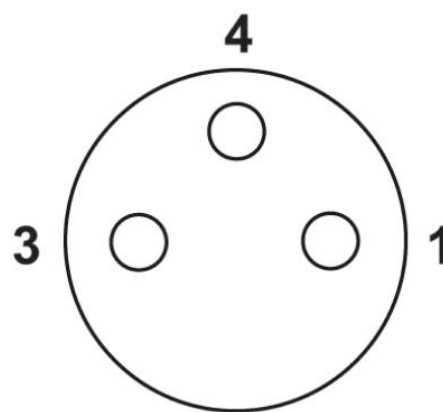


Contact assignment of the M12/M8 Y distributor

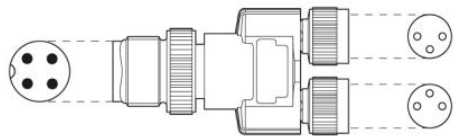
Schematic diagram



Pin assignment M12 plug, 4-pos., A-coded, view plug side



Pin assignment M8 socket, 3-pos., view female side



Layout of connector pin assignments

Address

PHOENIX CONTACT Inc., USA
586 Fulling Mill Road
Middletown, PA 17057, USA
Phone (800) 888-7388
Fax (717) 944-1625
<http://www.phoenixcon.com>



© 2011 Phoenix Contact
Technical modifications reserved;