


# SACC-E-FS-5CON-M16/0,5 SCO

Order No.: 1520039

<http://eshop.phoenixcontact.de/phoenix/treeViewClick.do?UID=1520039>

Sensor/Actuator flush-type socket, 5-pos., M12-SPEEDCON, A-coded, front/screw mounting with M16 thread, with 0.5 m TPE litz wire, 5 x 0.25 mm<sup>2</sup>

## Commercial data

GTIN (EAN)	 4 046356 020121
sales group	D125
Pack	1 pcs.
Customs tariff	85444290
Catalog page information	Page 28 (PC-2011)

## Product notes

WEEE/RoHS-compliant since:  
12/20/2005



<http://www.download.phoenixcontact.com>  
Please note that the data given here has been taken from the online catalog. For comprehensive information and data, please refer to the user documentation. The General Terms and Conditions of Use apply to Internet downloads.

## Technical data

### General data

Rated current at 40°C	4 A
Rated voltage	60 V
Number of positions	3
Volume resistance	≤ 3 mΩ

Insulation resistance	$\geq 100 \text{ M}\Omega$
Ambient temperature (operation)	-25 °C ... 85 °C

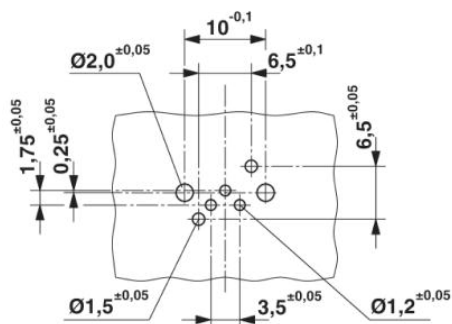
### General characteristics

Standards/regulations	M8 connector IEC 61076-2-104
Coding	A - standard
Surge voltage category	II
Pollution degree	3
Degree of protection	IP67
Contact material	CuSn
Contact surface material	Au
Contact carrier material	PA 66
Material, knurls	Nickel-plated brass
Sealing material	NBR
Mounting type	Rear mounting M8 x 1 With locking nut
Connection method	Solder pins
Status display	No

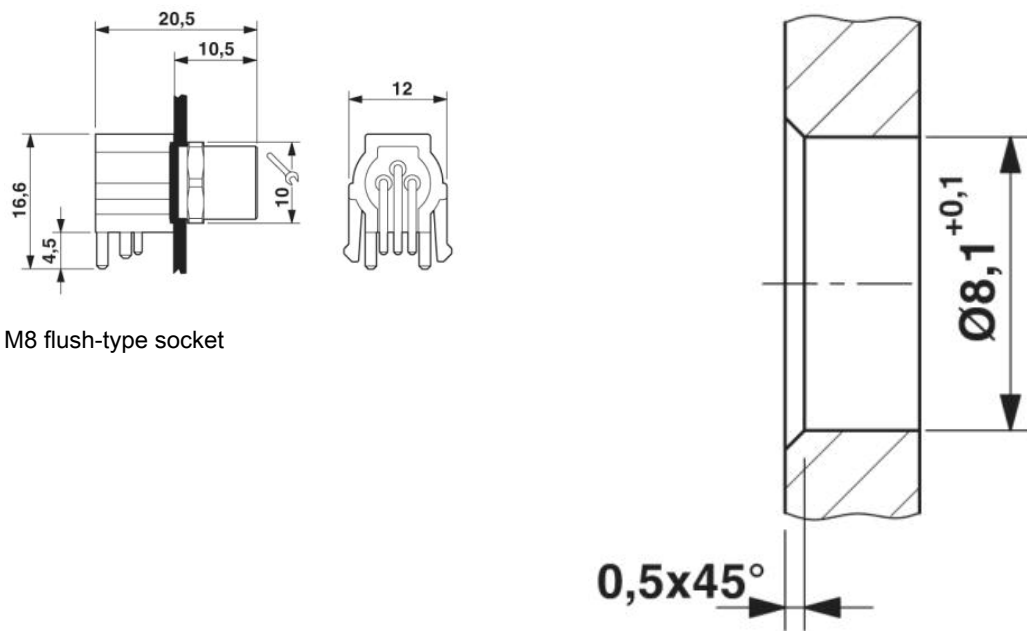
### Diagrams/Drawings

Drilling plan/solder pad geometry

Drilling diagram



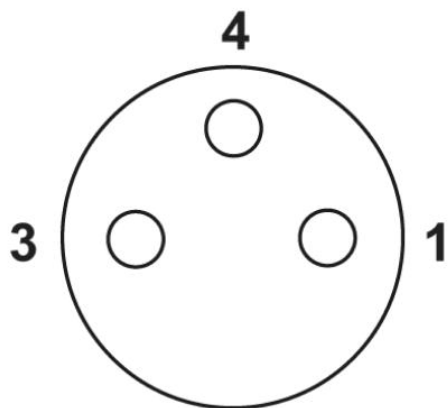
Dimensioned drawing



M8 flush-type socket

Mounting panel with feed-through hole

Schematic diagram



Pin assignment M8 socket, 3-pos., view female side

**Address**

PHOENIX CONTACT Deutschland GmbH  
Flachmarktstr. 8  
32825 Blomberg, Germany  
Phone +49 5235 3 12000  
Fax +49 5235 3 41200  
<http://www.phoenixcontact.de>



© 2011 Phoenix Contact  
Technical modifications reserved;