

# SACC-E-FS-5CON-M16/0,5 SCO


Order No.: 1520039



<http://eshop.phoenixcontact.de/phoenix/treeViewClick.do?UID=1520039>

Sensor/Actuator flush-type socket, 5-pos., M12-SPEEDCON, A-coded, front/screw mounting with M16 thread, with 0.5 m TPE litz wire, 5 x 0.25 mm<sup>2</sup>

## Commercial data

|                          |  |
|--------------------------|--|
| GTIN (EAN)               | <br>4 046356 020121 |
| sales group              | D125   |
| Pack                     | 1 pcs.   |
| Customs tariff           | 85444290   |
| Catalog page information | Page 28 (PC-2011)  |

## Product notes

WEEE/RoHS-compliant since:  
12/20/2005



<http://www.download.phoenixcontact.com>  
Please note that the data given here has been taken from the online catalog. For comprehensive information and data, please refer to the user documentation. The General Terms and Conditions of Use apply to Internet downloads.

## Technical data

### General data

|                       |        |
|-----------------------|--------|
| Rated current at 40°C | 4 A    |
| Rated voltage         | 30 V   |
| Number of positions   | 4      |
| Volume resistance     | ≤ 3 mΩ |

|                                 |                  |
|---------------------------------|------------------|
| Insulation resistance           | ≥ 100 MΩ         |
| Ambient temperature (operation) | -25 °C ... 85 °C |

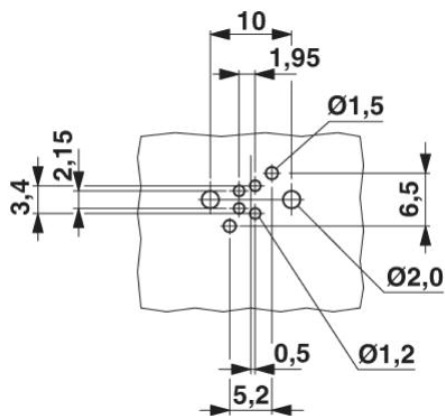
**General characteristics**

|                          |                                       |
|--------------------------|---------------------------------------|
| Standards/regulations    | M8 connector IEC 61076-2-104          |
| Coding                   | A - standard                          |
| Surge voltage category   | II                                    |
| Pollution degree         | 3                                     |
| Degree of protection     | IP67                                  |
| Contact material         | CuSn                                  |
| Contact surface material | Au                                    |
| Contact carrier material | PA 66                                 |
| Material, knurls         | Nickel-plated brass                   |
| Sealing material         | NBR                                   |
| Mounting type            | Rear mounting M8 x 1 With locking nut |
| Connection method        | Solder pins                           |
| Status display           | No                                    |

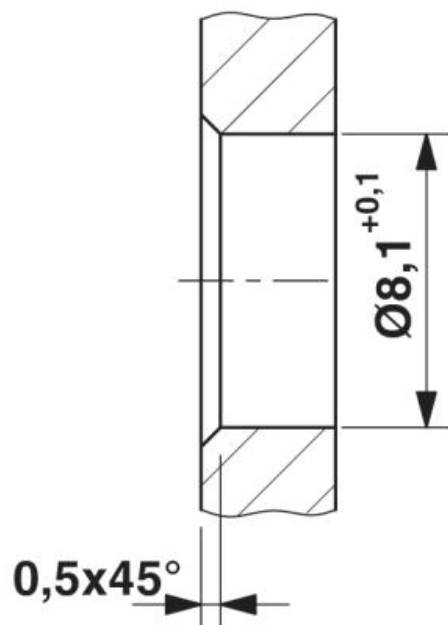
**Diagrams/Drawings**

Drilling plan/solder pad geometry

Drilling diagram

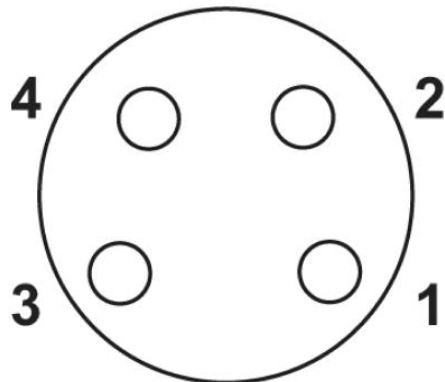


Dimensioned drawing



Mounting panel with feed-through hole

Schematic diagram



Pin assignment M8 socket, 4-pos., view female side

**Address**

PHOENIX CONTACT Deutschland GmbH  
Flachmarktstr. 8  
32825 Blomberg, Germany  
Phone +49 5235 3 12000  
Fax +49 5235 3 41200  
<http://www.phoenixcontact.de>



© 2011 Phoenix Contact  
Technical modifications reserved;