


SACC-DSIP-M12FS-4CON-L180-SI

Order No.: 1528219

<http://eshop.phoenixcontact.de/phoenix/treeViewClick.do?UID=1528219>Sensor/actuator flush-type socket, 4-pos., M12, A-coded, front/press-in
mounting, with straight solder connection**Commercial data**

GTIN (EAN)	 4 046356 023191
sales group	D125
Pack	10 pcs.
Customs tariff	85369010
Catalog page information	Page 75 (PC-2005)

Product notesWEEE/RoHS-compliant since:
12/20/2005

<http://www.download.phoenixcontact.com>
Please note that the data given here has been taken from the online catalog. For comprehensive information and data, please refer to the user documentation. The General Terms and Conditions of Use apply to Internet downloads.

Technical data**General data**

Rated current at 40°C	4 A
Rated voltage	60 V
Number of positions	5

Volume resistance	$\leq 0.003 \Omega$
Insulation resistance	\geq

General characteristics

Coding	A - standard
Pollution degree	3
Degree of protection	IP67
Contact material	CuZn
Contact surface material	Au
Sealing material	FKM
Status display	No

Certificates / Approvals

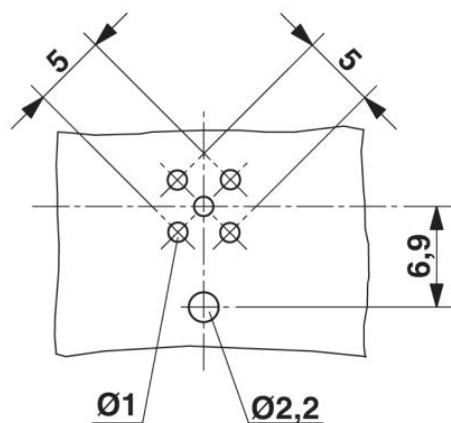


Certification

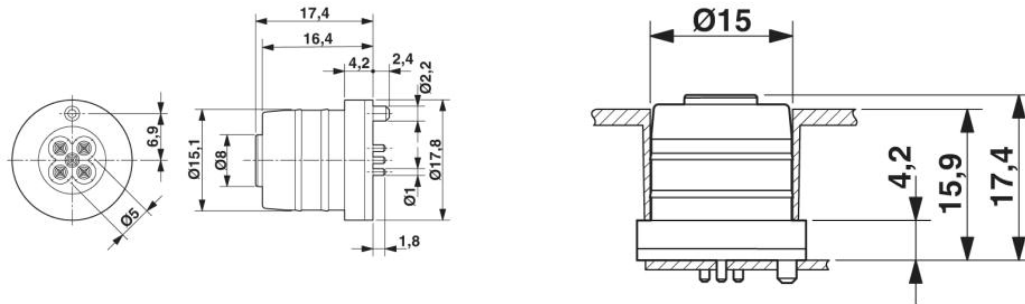
CUL, UL

Diagrams/Drawings

Drilling plan/solder pad geometry

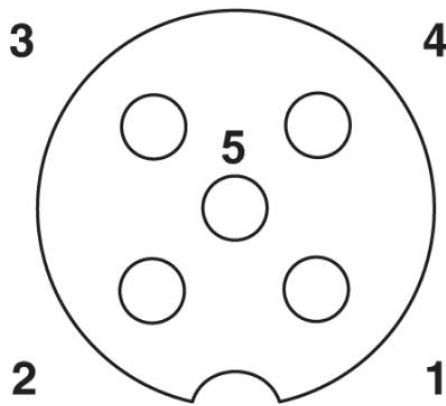


Dimensioned drawing



Installation diagram

Schematic diagram



Pin assignment M12 socket, 5-pos., A-coded, socket side view

Address

PHOENIX CONTACT Deutschland GmbH
Flachmarktstr. 8
32825 Blomberg, Germany
Phone +49 5235 3 12000
Fax +49 5235 3 41200
<http://www.phoenixcontact.de>



© 2011 Phoenix Contact
Technical modifications reserved;