


**SACC-DSIP-M12FS-4CON-L180-SI**

Order No.: 1528219

<http://eshop.phoenixcontact.de/phoenix/treeViewClick.do?UID=1528219>

Sensor/actuator flush-type socket, 4-pos., M12, A-coded, front/press-in mounting, with straight solder connection

**Commercial data**

GTIN (EAN)	 4 046356 023191
sales group	D125
Pack	10 pcs.
Customs tariff	85369010
Catalog page information	Page 75 (PC-2005)

**Product notes**

WEEE/RoHS-compliant since:  
12/20/2005



<http://www.download.phoenixcontact.com>  
Please note that the data given here has been taken from the online catalog. For comprehensive information and data, please refer to the user documentation. The General Terms and Conditions of Use apply to Internet downloads.

**Technical data****General data**

Rated current at 40°C	4 A
Rated voltage	60 V
Number of positions	3

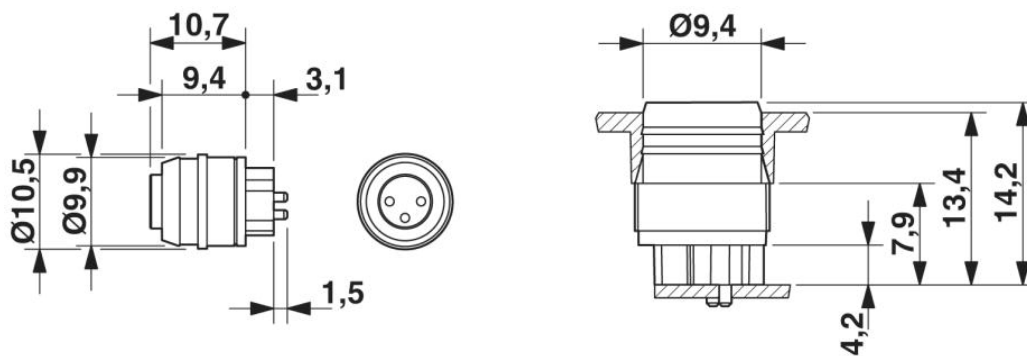
Volume resistance	$\leq 3 \text{ m}\Omega$
Insulation resistance	$\geq 100 \text{ M}\Omega$

#### General characteristics

Pollution degree	3
Contact material	CuSn
Contact surface material	Au
Contact carrier material	PA 66
Sealing material	NBR
Connection method	Printed circuit connection
Status display	No

#### Diagrams/Drawings

Dimensioned drawing



**Address**

PHOENIX CONTACT Deutschland GmbH  
Flachmarktstr. 8  
32825 Blomberg, Germany  
Phone +49 5235 3 12000  
Fax +49 5235 3 41200  
<http://www.phoenixcontact.de>



© 2011 Phoenix Contact  
Technical modifications reserved;