

SACC-DSIP-M12FS-4CON-L180-SI


Order No.: 1528219



<http://eshop.phoenixcontact.de/phoenix/treeViewClick.do?UID=1528219>

Sensor/actuator flush-type socket, 4-pos., M12, A-coded, front/press-in mounting, with straight solder connection

Commercial data

GTIN (EAN)	 4 046356 023191
sales group	D125
Pack	10 pcs.
Customs tariff	85369010
Catalog page information	Page 75 (PC-2005)

Product notes

WEEE/RoHS-compliant since:
12/20/2005



<http://www.download.phoenixcontact.com>
Please note that the data given here has been taken from the online catalog. For comprehensive information and data, please refer to the user documentation. The General Terms and Conditions of Use apply to Internet downloads.

Technical data

General data

Rated current at 40°C	4 A
Rated voltage	30 V
Number of positions	4

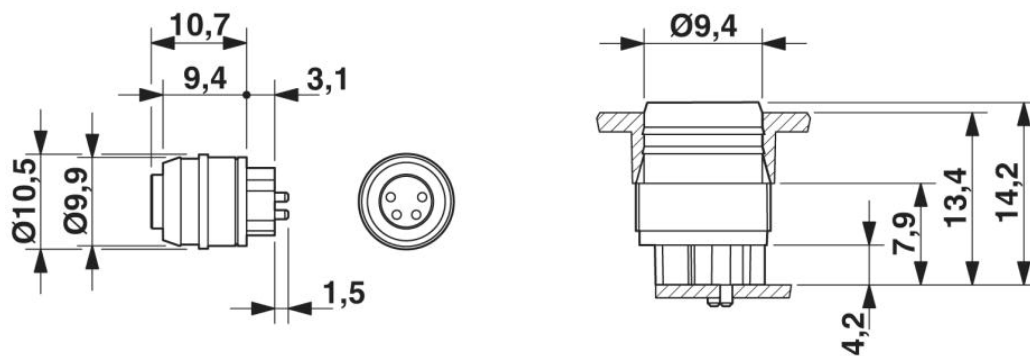
Volume resistance	$\leq 3 \text{ m}\Omega$
Insulation resistance	$\geq 100 \text{ M}\Omega$

General characteristics

Pollution degree	3
Contact material	CuSn
Contact surface material	Au
Contact carrier material	PA 66
Sealing material	NBR
Connection method	Printed circuit connection
Status display	No

Diagrams/Drawings

Dimensioned drawing



Address

PHOENIX CONTACT Deutschland GmbH
Flachmarktstr. 8
32825 Blomberg, Germany
Phone +49 5235 3 12000
Fax +49 5235 3 41200
<http://www.phoenixcontact.de>



© 2011 Phoenix Contact
Technical modifications reserved;