


SACC-DSIP-M12FS-4CON-L180-SI

Order No.: 1528219

<http://eshop.phoenixcontact.de/phoenix/treeViewClick.do?UID=1528219>

Sensor/actuator flush-type socket, 4-pos., M12, A-coded, front/press-in mounting, with straight solder connection

Commercial data	
GTIN (EAN)	 4 046356 023191
sales group	D125
Pack	10 pcs.
Customs tariff	85369010
Catalog page information	Page 75 (PC-2005)

Product notes

WEEE/RoHS-compliant since:
12/20/2005

<http://www.download.phoenixcontact.com>
Please note that the data given here has been taken from the online catalog. For comprehensive information and data, please refer to the user documentation. The General Terms and Conditions of Use apply to Internet downloads.

Certificates / Approvals

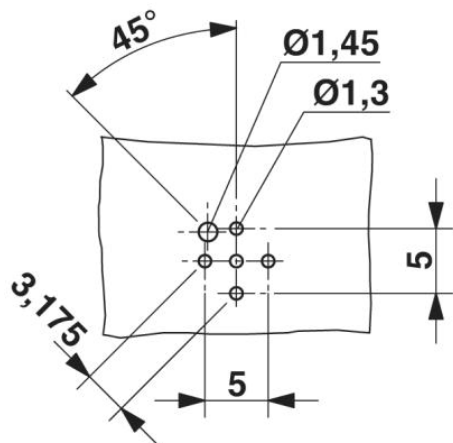


Certification

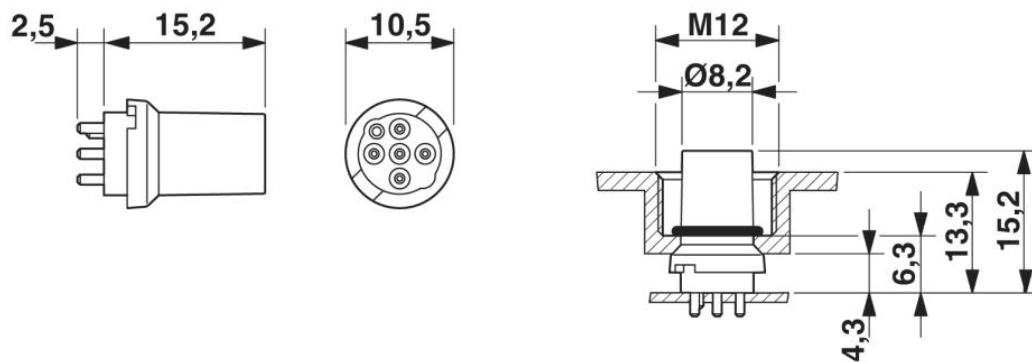
CUL, UL

Diagrams/Drawings

Drilling plan/solder pad geometry



Dimensioned drawing



Installation diagram

Address

PHOENIX CONTACT Deutschland GmbH
Flachmarktstr. 8
32825 Blomberg, Germany
Phone +49 5235 3 12000
Fax +49 5235 3 41200
<http://www.phoenixcontact.de>



© 2011 Phoenix Contact
Technical modifications reserved;