


SACC-DSI-M5MS-3CON-L180

Order No.: 1530621

<http://eshop.phoenixcontact.de/phoenix/treeViewClick.do?UID=1530621>Sensor/actuator flush-type plug, 3-pos., M5, prewall/screw mounting,
with straight solder connection**Commercial data**

GTIN (EAN)	 4 046356 024426
sales group	D125
Pack	20 pcs.
Customs tariff	85366990
Catalog page information	Page 38 (PC-2011)

Product notesWEEE/RoHS-compliant since:
11/23/2005

<http://www.download.phoenixcontact.com>
Please note that the data given here has been taken from the online catalog. For comprehensive information and data, please refer to the user documentation. The General Terms and Conditions of Use apply to Internet downloads.

Technical data**General data**

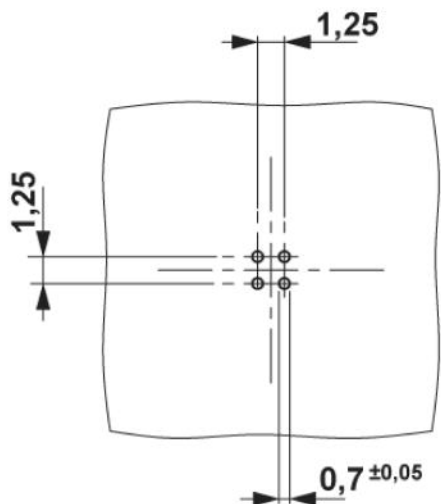
Rated current at 40°C	1 A
Rated voltage	60 V
Number of positions	4
Volume resistance	≤ 3 mΩ
Insulation resistance	≥ 100 MΩ

Ambient temperature (operation)	-25 °C ... 85 °C
General characteristics	
Standards/regulations	M5 connector IEC 61076-2-105
Surge voltage category	II
Pollution degree	3
Degree of protection	IP67
Contact material	CuZn
Contact surface material	Au
Contact carrier material	PA 66
Material, knurls	Nickel-plated brass
Sealing material	Viton
Mounting type	Rear mounting M5 x 0.5 With locking nut
Connection method	Solder pins
Status display	No
Test voltage	800 V

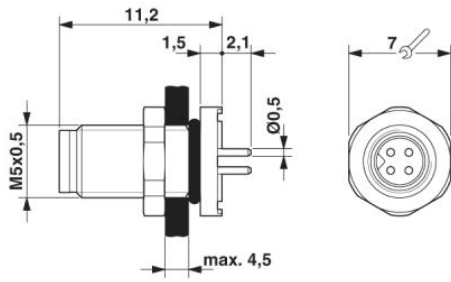
Diagrams/Drawings

Drilling plan/solder pad geometry

M5 flush-type connector

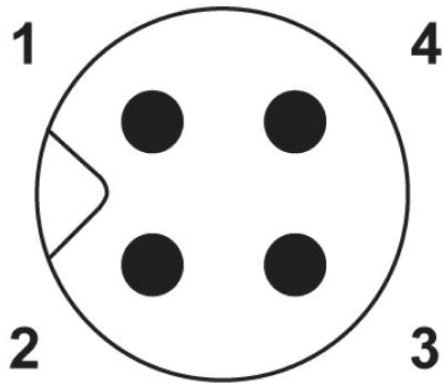


Dimensioned drawing



M5 flush-type connector

Schematic diagram



Pin assignment M5 plug, 4-pos., view male side

Address

PHOENIX CONTACT Deutschland GmbH
Flachmarktstr. 8
32825 Blomberg, Germany
Phone +49 5235 3 12000
Fax +49 5235 3 41200
<http://www.phoenixcontact.de>



© 2011 Phoenix Contact
Technical modifications reserved;