

# SACC-DSI-M5MS-3CON-L180


Order No.: 1530621



<http://eshop.phoenixcontact.de/phoenix/treeViewClick.do?UID=1530621>

Sensor/actuator flush-type plug, 3-pos., M5, prewall/screw mounting,  
with straight solder connection

## Commercial data

GTIN (EAN)	 4 046356 024426
sales group	D125
Pack	20 pcs.
Customs tariff	85366990
Catalog page information	Page 38 (PC-2011)

## Product notes

WEEE/RoHS-compliant since:  
11/23/2005



[http://  
www.download.phoenixcontact.com](http://www.download.phoenixcontact.com)  
Please note that the data given  
here has been taken from the  
online catalog. For comprehensive  
information and data, please refer  
to the user documentation. The  
General Terms and Conditions of  
Use apply to Internet downloads.

## Technical data

### General data

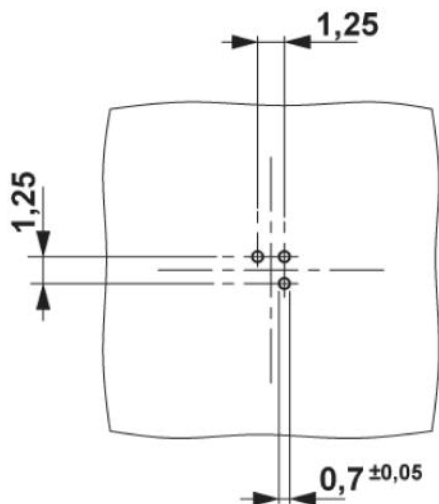
Rated current at 40°C	1 A
Rated voltage	60 V
Number of positions	3
Volume resistance	≤ 3 mΩ
Insulation resistance	≥ 100 MΩ

Ambient temperature (operation)	-25 °C ... 80 °C
<b>General characteristics</b>	
Standards/regulations	M5 connector IEC 61076-2-105
Surge voltage category	II
Pollution degree	3
Degree of protection	IP67
Contact material	CuSn
Contact surface material	Au
Contact carrier material	PA 66
Material, knurls	Nickel-plated brass
Sealing material	Viton
Mounting type	Rear mounting M5 x 0.5 With locking nut
Connection method	Solder pins
Status display	No
Test voltage	800 V

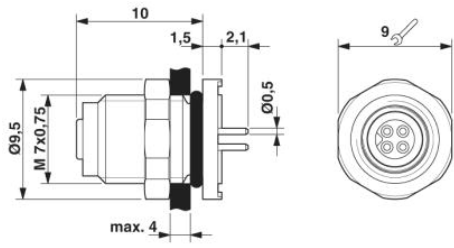
#### Diagrams/Drawings

Drilling plan/solder pad geometry

M5 flush-type socket

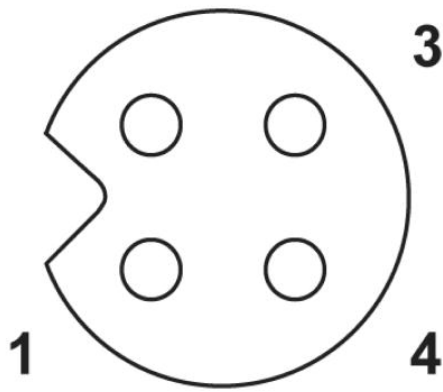


Dimensioned drawing



M5 flush-type socket

Schematic diagram



Pin assignment M5 socket, 3-pos., D-coded, view female side

**Address**

PHOENIX CONTACT Deutschland GmbH  
Flachmarktstr. 8  
32825 Blomberg, Germany  
Phone +49 5235 3 12000  
Fax +49 5235 3 41200  
<http://www.phoenixcontact.de>



© 2011 Phoenix Contact  
Technical modifications reserved;