

SACC-DSI-M5MS-3CON-L180


Order No.: 1530621



<http://eshop.phoenixcontact.de/phoenix/treeViewClick.do?UID=1530621>

Sensor/actuator flush-type plug, 3-pos., M5, prewall/screw mounting,
with straight solder connection

Commercial data

GTIN (EAN)	 4 046356 024426
sales group	D125
Pack	20 pcs.
Customs tariff	85366990
Catalog page information	Page 38 (PC-2011)

Product notes

WEEE/RoHS-compliant since:
11/23/2005



<http://www.download.phoenixcontact.com>
Please note that the data given here has been taken from the online catalog. For comprehensive information and data, please refer to the user documentation. The General Terms and Conditions of Use apply to Internet downloads.

Technical data

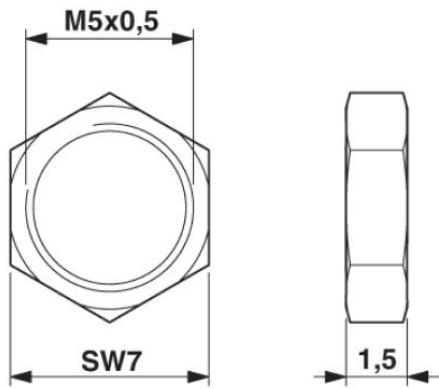
General characteristics

Material, knurls	Nickel-plated brass
Mounting type	M5 x 0.5

Diagrams/Drawings

Dimensioned drawing

Flat nut M5



Address

PHOENIX CONTACT Deutschland GmbH
Flachmarktstr. 8
32825 Blomberg, Germany
Phone +49 5235 3 12000
Fax +49 5235 3 41200
<http://www.phoenixcontact.de>



© 2011 Phoenix Contact
Technical modifications reserved;