

# SACC-DSI-M5MS-3CON-L180


Order No.: 1530621



<http://eshop.phoenixcontact.de/phoenix/treeViewClick.do?UID=1530621>

Sensor/actuator flush-type plug, 3-pos., M5, prewall/screw mounting,  
with straight solder connection

## Commercial data

GTIN (EAN)	 4 046356 024426
sales group	D125
Pack	20 pcs.
Customs tariff	85366990
Catalog page information	Page 38 (PC-2011)

## Product notes

WEEE/RoHS-compliant since:  
11/23/2005



<http://www.download.phoenixcontact.com>  
Please note that the data given here has been taken from the online catalog. For comprehensive information and data, please refer to the user documentation. The General Terms and Conditions of Use apply to Internet downloads.

## Technical data

### General data

Rated current at 40°C	4 A
Rated voltage	60 V
Number of positions	3
Volume resistance	≤ 3 mΩ
Insulation resistance	> 100 MΩ

Length of cable	1 m
<b>General characteristics</b>	
Surge voltage category	II
Pollution degree	3
Degree of protection	IP67
Contact material	CuSn
Contact surface material	Au
Contact carrier material	PUR
Material, knurls	Nickel-plated brass
Sealing material	Viton
Connection method	Individual wires
Status display	No

<b>Conductor data</b>	
Cable type	TPE litz wire
Conductor cross section	0.25 mm <sup>2</sup>
AWG signal line	24
Conductor structure signal line	14x 0.15 mm
Core diameter including insulation	1.15 mm ±0.07 mm
Thickness, insulation	0.21 mm
Wire colors	Brown, blue, black
Insulation resistance	≥ 20 MΩ*km
Conductor resistance	≥ 80 Ω/km
Nominal voltage, conductor	300 V
Test voltage, conductor	2000 V AC
Material conductor insulation	TPE
Conductor material	Tin-plated Cu litz wires

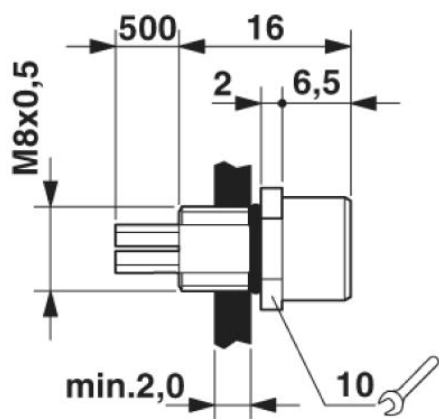
**Accessories**

Item	Designation	Description
<b>Assembly</b>		
1504071	SACC-E-MU-M 8	Flat nut with M8 thread

### Diagrams/Drawings

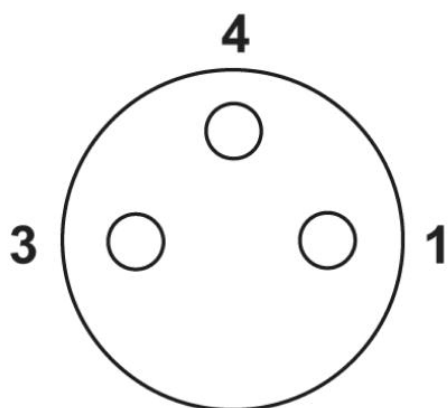
Dimensioned drawing

M8 flush-type socket



Schematic diagram

Pin assignment M8 socket, 3-pos., view female side



**Address**

PHOENIX CONTACT Deutschland GmbH  
Flachmarktstr. 8  
32825 Blomberg, Germany  
Phone +49 5235 3 12000  
Fax +49 5235 3 41200  
<http://www.phoenixcontact.de>



© 2011 Phoenix Contact  
Technical modifications reserved;