

SACC-DSI-MS-4CON-M12 SCO

Order No.: 1551820

<http://eshop.phoenixcontact.de/phoenix/treeViewClick.do?UID=1551820>


Sensor/actuator flush-type connector, 4-pos., M12 SPEEDCON, A-coded, rear/screw mounting with M12 thread, with straight solder connection



Product notes

WEEE/RoHS-compliant since:
09/29/2006



Commercial data	
GTIN (EAN)	
sales group	D125
Pack	20 pcs.
Customs tariff	85366990
Catalog page information	Page 48 (PC-2011)

<http://www.download.phoenixcontact.com>
Please note that the data given here has been taken from the online catalog. For comprehensive information and data, please refer to the user documentation. The General Terms and Conditions of Use apply to Internet downloads.

Technical data

General data

Rated current at 40°C	2 A
Rated voltage	30 V
Number of positions	8
Volume resistance	≤ 3 mΩ

Insulation resistance	≥ 100 MΩ
Ambient temperature (operation)	-25 °C ... 85 °C (connector)

General characteristics

Standards/regulations	M12 connector IEC 61076-2-101
Coding	A - standard
Surge voltage category	II
Pollution degree	3
Degree of protection	IP67
Contact material	CuZn
Contact surface material	Au
Contact carrier material	PA 66
Material, knurls	Zinc die-cast, nickel-plated
Sealing material	NBR
Mounting type	Rear mounting M12 x 1 With flat nut
Connection method	Solder pins
Status display	No

Certificates / Approvals

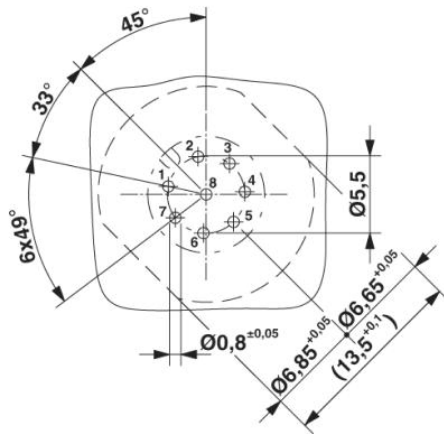


Certification

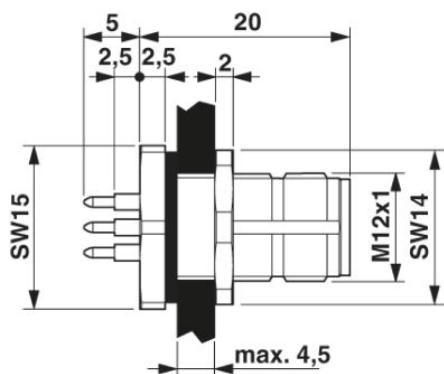
UL

Diagrams/Drawings

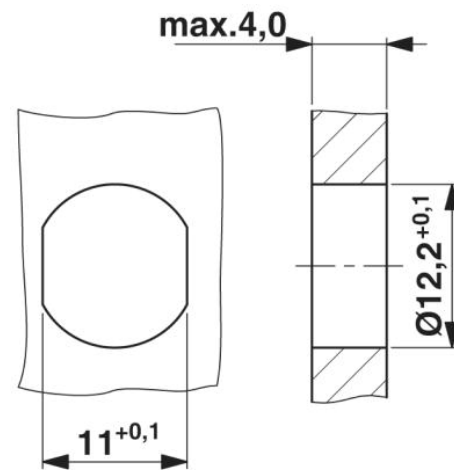
Drilling plan/solder pad geometry



Dimensioned drawing

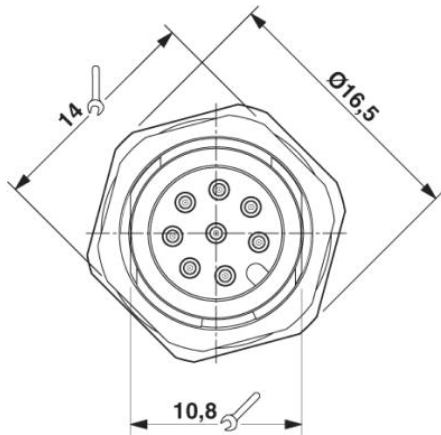


M12 flush-type connector



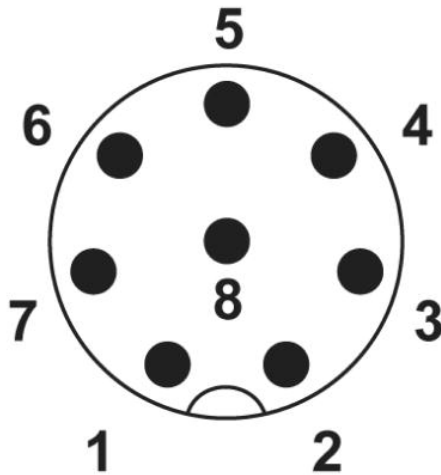
Mounting cut-out

Front view of M12 flush-type connector



Schematic diagram

Pin assignment M12 plug, 8-pos., view plug side



Address

PHOENIX CONTACT Deutschland GmbH
Flachmarktstr. 8
32825 Blomberg, Germany
Phone +49 5235 3 12000
Fax +49 5235 3 41200
<http://www.phoenixcontact.de>



© 2011 Phoenix Contact
Technical modifications reserved;