

SACC-DSI-MS-4CON-M12 SCO

Order No.: 1551820


<http://eshop.phoenixcontact.de/phoenix/treeViewClick.do?UID=1551820>

Sensor/actuator flush-type connector, 4-pos., M12 SPEEDCON, A-coded, rear/screw mounting with M12 thread, with straight solder connection

**Product notes**

WEEE/RoHS-compliant since:
09/29/2006

**Commercial data**

GTIN (EAN)	 4 046356 161886
sales group	D125
Pack	20 pcs.
Customs tariff	85366990
Catalog page information	Page 48 (PC-2011)

<http://>

www.download.phoenixcontact.com
Please note that the data given here has been taken from the online catalog. For comprehensive information and data, please refer to the user documentation. The General Terms and Conditions of Use apply to Internet downloads.

Technical data**General data**

Number of positions	4
Volume resistance	$\leq 3 \text{ m}\Omega$
Insulation resistance	$\geq 100 \text{ M}\Omega$
Ambient temperature (operation)	-25 °C ... 85 °C (Male connector / female connector)

General characteristics

Standards/regulations	M12 connector IEC 61076-2-101
Coding	A - standard
Contact material	CuZn
Contact surface material	Au
Contact carrier material	PA 66
Material, knurls	Zinc die-cast, nickel-plated
Sealing material	NBR
Mounting type	Rear mounting M12 x 1 With flat nut
Connection method	Solder pins

Certificates / Approvals

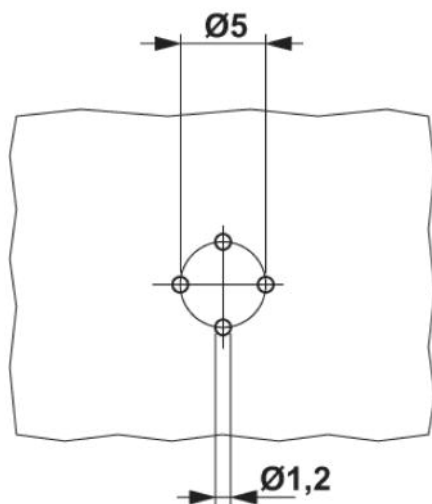


Certification

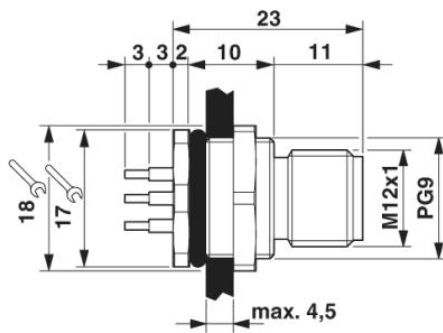
UL

Diagrams/Drawings

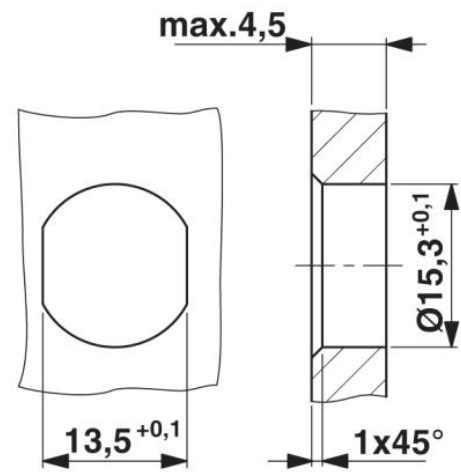
Drilling plan/solder pad geometry



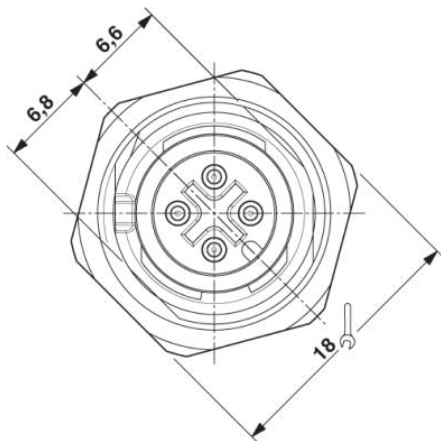
Dimensioned drawing



M12 flush-type connector

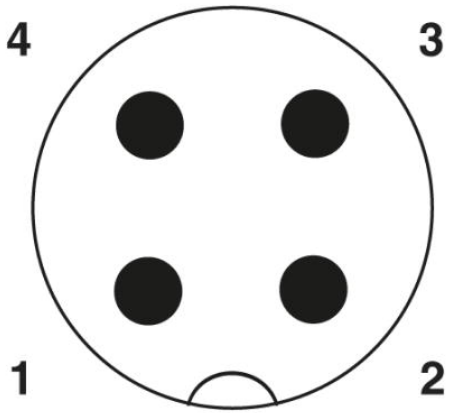


Mounting cutout with polarization for Pg9 thread



Schematic diagram

Pin assignment M12 plug, 4-pos., A-coded, view plug side



Address

PHOENIX CONTACT Deutschland GmbH
Flachmarktstr. 8
32825 Blomberg, Germany
Phone +49 5235 3 12000
Fax +49 5235 3 41200
<http://www.phoenixcontact.de>



© 2011 Phoenix Contact
Technical modifications reserved;