


SACC-DSI-MS-4CON-M12 SCO

Order No.: 1551820

<http://eshop.phoenixcontact.de/phoenix/treeViewClick.do?UID=1551820>

Sensor/actuator flush-type connector, 4-pos., M12 SPEEDCON, A-coded, rear/screw mounting with M12 thread, with straight solder connection

Commercial data	
GTIN (EAN)	
sales group	D125
Pack	20 pcs.
Customs tariff	85366990
Catalog page information	Page 48 (PC-2011)

Product notes

WEEE/RoHS-compliant since:
09/29/2006



<http://www.download.phoenixcontact.com>
Please note that the data given here has been taken from the online catalog. For comprehensive information and data, please refer to the user documentation. The General Terms and Conditions of Use apply to Internet downloads.

Technical data	
General data	
Rated current at 40°C	1.5 A
Rated voltage	30 V
Number of positions	12
Volume resistance	≤ 3 mΩ

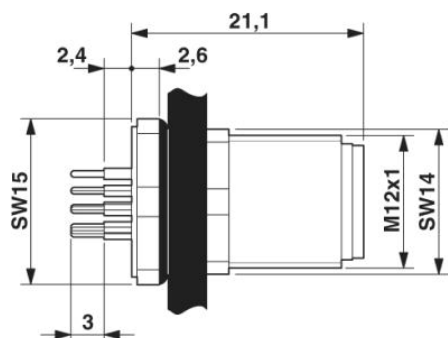
Insulation resistance	≥ 100 MΩ
Ambient temperature (operation)	-25 °C ... 85 °C (connector)

General characteristics

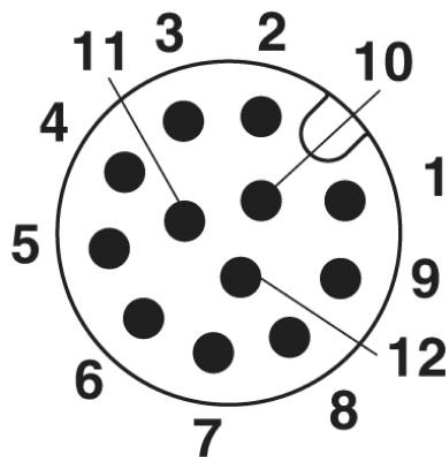
Surge voltage category	II
Pollution degree	3
Degree of protection	IP67
Connection method	Solder pins
Status display	No

Diagrams/Drawings

Dimensioned drawing



Schematic diagram



Address

PHOENIX CONTACT Deutschland GmbH
Flachmarktstr. 8
32825 Blomberg, Germany
Phone +49 5235 3 12000
Fax +49 5235 3 41200
<http://www.phoenixcontact.de>



© 2011 Phoenix Contact
Technical modifications reserved;