

**SACC-DSI-MS-8CON-L180/SCO SH**

Order No.: 1553873


<http://eshop.phoenixcontact.de/phoenix/treeViewClick.do?UID=1553873>

Sensor/actuator flush-type connector, 8-pos., M12-SPEEDCON, shielded, rear/screw mounting with Pg9 thread, with straight solder connection

**Product notes**

WEEE/RoHS-compliant since:  
09/29/2006



<b>Commercial data</b>	
GTIN (EAN)	 4 046356 162258
sales group	D125
Pack	20 pcs.
Customs tariff	85366990
Catalog page information	Page 47 (PC-2011)

<http://www.download.phoenixcontact.com>  
Please note that the data given here has been taken from the online catalog. For comprehensive information and data, please refer to the user documentation. The General Terms and Conditions of Use apply to Internet downloads.

**Technical data****General data**

Rated current at 40°C	1.5 A
Rated voltage	30 V
Number of positions	12
Volume resistance	≤ 3 mΩ

Insulation resistance	≥ 100 MΩ
Length of cable	0.5 m
Ambient temperature (operation)	-25 °C ... 85 °C (female)

#### General characteristics

Standards/regulations	M12 connector IEC 61076-2-101
Coding	A - standard
Surge voltage category	II
Pollution degree	3
Degree of protection	IP67
Contact material	CuZn
Contact surface material	Ni/Au
Contact carrier material	PA 66
Material, knurls	Zinc die-cast, nickel-plated
Sealing material	NBR
Mounting type	Front mounting M16 x 1.5
Connection method	Individual wires
Status display	No

#### Conductor data

Cable type	TPE litz wire
Conductor cross section	0.14 mm <sup>2</sup>
AWG signal line	26
Wire colors	Color-coded DIN 47100
Material conductor insulation	TPE
Ambient temperature (operation)	-25 °C ... 90 °C (cable, fixed installation)

#### Certificates / Approvals

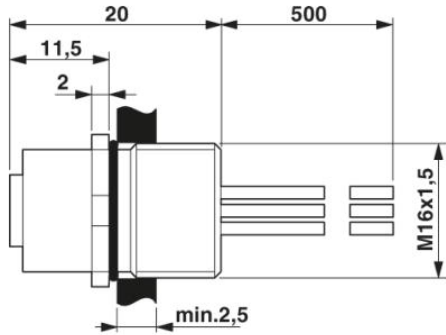


Certification

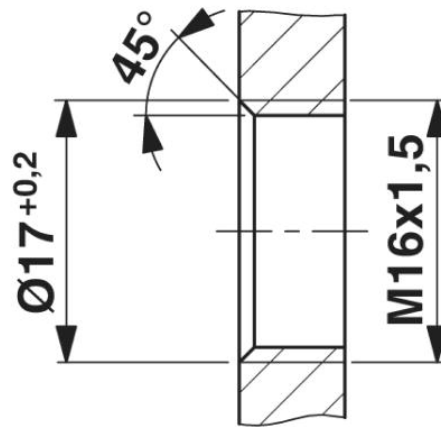
UL

**Diagrams/Drawings**

Dimensioned drawing

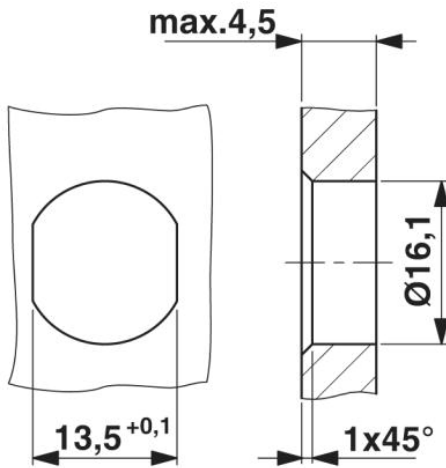


M12 flush-type connector



Housing cutout for M16 fastening thread, mounting panel with thread

Housing cutout for M16 fastening thread, mounting panel with feed-through hole (alternatively with surface as protection against rotation)



Circuit diagram

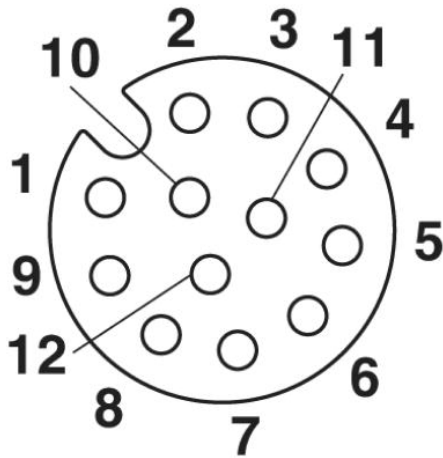


Contact assignment of the M12 socket

Schematic diagram

---

Pin assignment M12, 12-pos., female side view



**Address**

PHOENIX CONTACT Deutschland GmbH  
Flachmarktstr. 8  
32825 Blomberg, Germany  
Phone +49 5235 3 12000  
Fax +49 5235 3 41200  
<http://www.phoenixcontact.de>



© 2011 Phoenix Contact  
Technical modifications reserved;