


SACC-DSI-MS-8CON-L180/SCO SH

Order No.: 1553873

<http://eshop.phoenixcontact.de/phoenix/treeViewClick.do?UID=1553873>

Sensor/actuator flush-type connector, 8-pos., M12-SPEEDCON, shielded, rear/screw mounting with Pg9 thread, with straight solder connection

Commercial data	
GTIN (EAN)	 4 046356 162258
sales group	D125
Pack	20 pcs.
Customs tariff	85366990
Catalog page information	Page 47 (PC-2011)

Product notes

WEEE/RoHS-compliant since:
09/29/2006

<http://www.download.phoenixcontact.com>
Please note that the data given here has been taken from the online catalog. For comprehensive information and data, please refer to the user documentation. The General Terms and Conditions of Use apply to Internet downloads.

Technical data	
General data	
Rated current at 40°C	2 A
Rated voltage	30 V
Number of positions	8
Volume resistance	≤ 3 mΩ

Insulation resistance	$\geq 100 \text{ M}\Omega$
Ambient temperature (operation)	-25 °C ... 85 °C

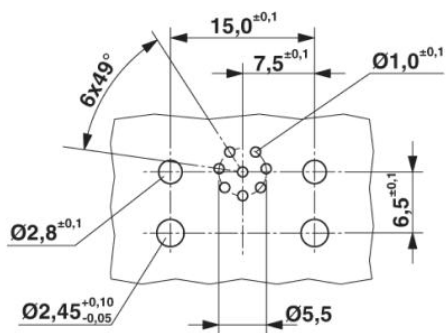
General characteristics

Standards/regulations	M12 connector IEC 61076-2-101
Coding	A - standard
Surge voltage category	II
Pollution degree	3
Degree of protection	IP67
Contact material	CuZn
Contact surface material	Au
Contact carrier material	PA 66
Material, knurls	Nickel-plated brass
Sealing material	NBR
Mounting type	Rear mounting M12 x 1 With locking nut
Connection method	Solder pins
Status display	No

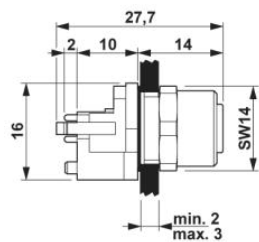
Diagrams/Drawings

Drilling plan/solder pad geometry

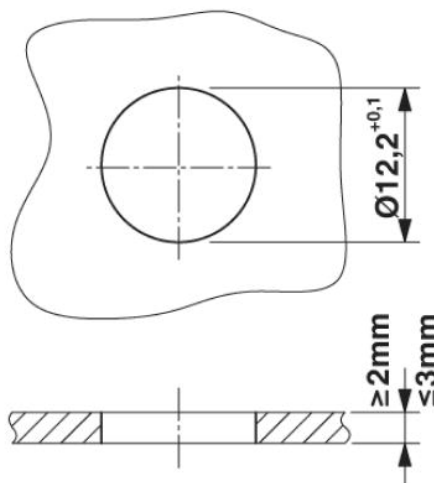
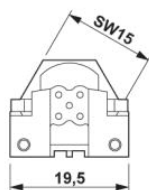
M12 flush-type connector



Dimensioned drawing

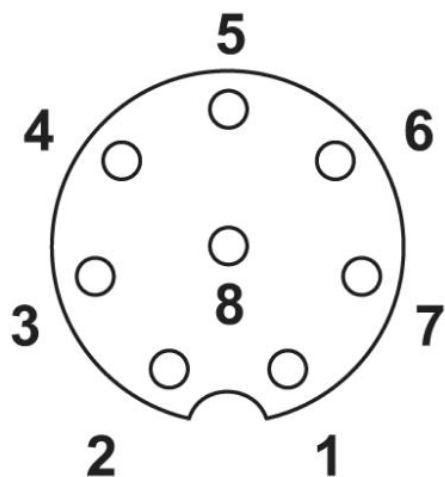


M12 flush-type connector



Panel cutout

Schematic diagram



Pin assignment M12 socket, 8-pos., A-coded, view female side

Address

PHOENIX CONTACT Deutschland GmbH
Flachmarktstr. 8
32825 Blomberg, Germany
Phone +49 5235 3 12000
Fax +49 5235 3 41200
<http://www.phoenixcontact.de>



© 2011 Phoenix Contact
Technical modifications reserved;