


SACC-CI-M12FS-8CON-L180-THR

Order No.: 1557808

<http://eshop.phoenixcontact.de/phoenix/treeViewClick.do?UID=1557808>Sensor/actuator flush-type socket, 8-pos., with straight THR solder
connection**Product notes**WEEE/RoHS-compliant since:
03/08/2007**Commercial data**

| | |
|--------------------------|--|
| GTIN (EAN) |  4 046356 285308 |
| Note | Made-to-order |
| sales group | D125 |
| Pack | 60 pcs. |
| Customs tariff | 85366990 |
| Catalog page information | Page 54 (PC-2011) |

<http://www.download.phoenixcontact.com>
Please note that the data given here has been taken from the online catalog. For comprehensive information and data, please refer to the user documentation. The General Terms and Conditions of Use apply to Internet downloads.

Technical data**General data**

| | |
|-----------------------|--------|
| Rated current at 40°C | 1.5 A |
| Rated voltage | 30 V |
| Number of positions | 17 |
| Volume resistance | ≤ 3 mΩ |

| | |
|---------------------------------|--|
| Insulation resistance | ≥ 100 MΩ |
| Ambient temperature (operation) | -25 °C ... 85 °C (Male connector / female connector) |

General characteristics

| | |
|-------------------------------|-------------------------------------|
| Standards/regulations | M12 connector IEC 61076-2-101 |
| Coding | A - standard |
| Surge voltage category | II |
| Pollution degree | 3 |
| Degree of protection | IP67 |
| Contact material | CuZn |
| Contact surface material | Au |
| Contact carrier material | PA 66 |
| Material, knurls | Zinc die-cast, nickel-plated |
| Sealing material | NBR |
| Mounting type | Rear mounting M12 x 1 With flat nut |
| Connection method | Solder pins |
| Length of the solder contacts | 6 mm |
| Status display | No |

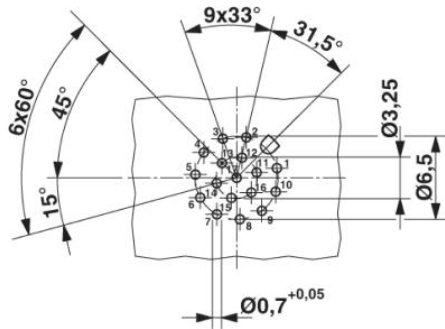
Certificates / Approvals



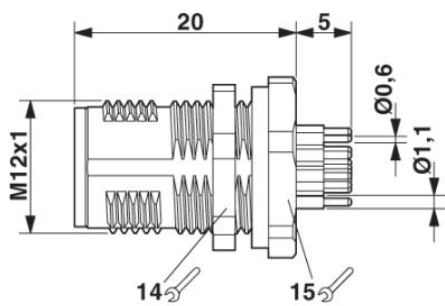
Certification UL

Diagrams/Drawings

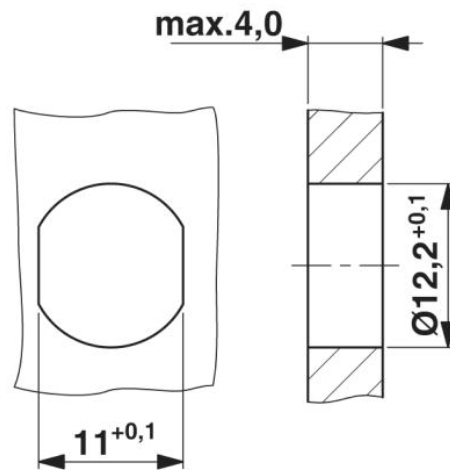
Drilling plan/solder pad geometry



Dimensioned drawing

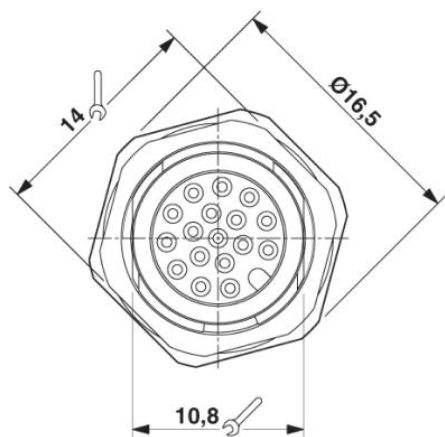


M12 flush-type connector



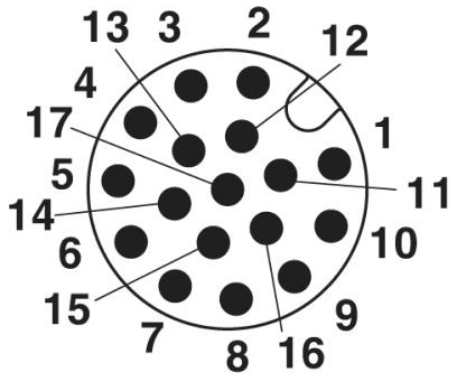
Mounting cut-out

Front view of M12 flush-type connector



Schematic diagram

Pin assignment M12 male connector, 17-pos., male side view



Address

PHOENIX CONTACT Deutschland GmbH
Flachmarktstr. 8
32825 Blomberg, Germany
Phone +49 5235 3 12000
Fax +49 5235 3 41200
<http://www.phoenixcontact.de>



© 2011 Phoenix Contact
Technical modifications reserved;