


# SACC-CI-M12FS-8CON-L180-THR

Order No.: 1557808

<http://eshop.phoenixcontact.de/phoenix/treeViewClick.do?UID=1557808>Sensor/actuator flush-type socket, 8-pos., with straight THR solder  
connection

Commercial data	
GTIN (EAN)	 4 046356 285308
Note	Made-to-order
sales group	D125
Pack	60 pcs.
Customs tariff	85366990
Catalog page information	Page 54 (PC-2011)

**Product notes**WEEE/RoHS-compliant since:  
03/08/2007

<http://www.download.phoenixcontact.com>  
Please note that the data given here has been taken from the online catalog. For comprehensive information and data, please refer to the user documentation. The General Terms and Conditions of Use apply to Internet downloads.

**Technical data**

General data	
Rated current at 40°C	4 A
Rated voltage	60 V
Number of positions	5
Volume resistance	≤ 3 mΩ
Insulation resistance	> 10 Ω

Length of cable	0.115 m
-----------------	---------

#### General characteristics

Coding	A - standard
Surge voltage category	II
Pollution degree	3
Degree of protection	IP67
Contact material	CuZn
Contact surface material	Au
Contact carrier material	PA66 GF
Material, knurls	Nickel-plated brass
Sealing material	NBR
Status display	No

#### Conductor data

Cable type	TPE litz wire
Conductor cross section	0.34 mm <sup>2</sup>
AWG signal line	22
Conductor structure signal line	7x 0.25 mm
Core diameter including insulation	1.2 mm ±0.07 mm
Thickness, insulation	0.21 mm
Wire colors	Black, brown, blue, white, gray
Insulation resistance	≥ 20 MΩ*km
Conductor resistance	≤ 57.6 Ω/km
Nominal voltage, conductor	300 V
Test voltage, conductor	2000 V AC
Material conductor insulation	TPE
Conductor material	Tin-plated Cu litz wires

#### Certificates / Approvals

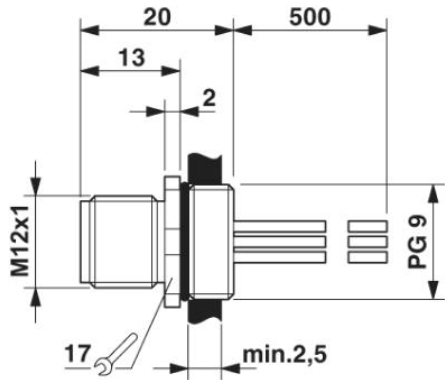


Certification

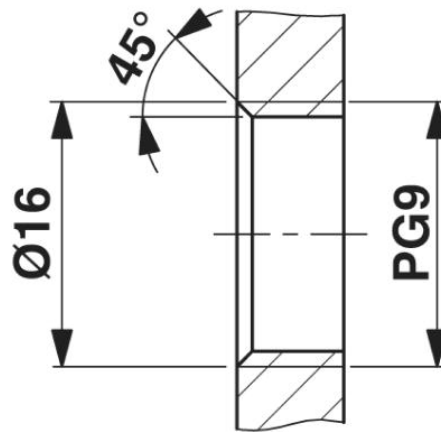
UL

**Diagrams/Drawings**

Dimensioned drawing

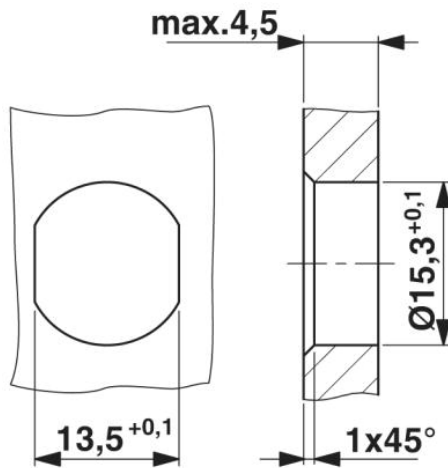


M12 flush-type connector, can be positioned

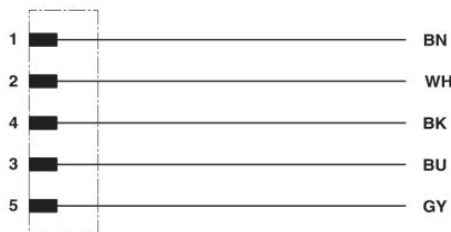


Housing cutout for Pg9 fastening thread, mounting panel with thread

Housing cutout for Pg9 fastening thread, mounting panel with feed-through hole (alternatively with surface as protection against rotation)



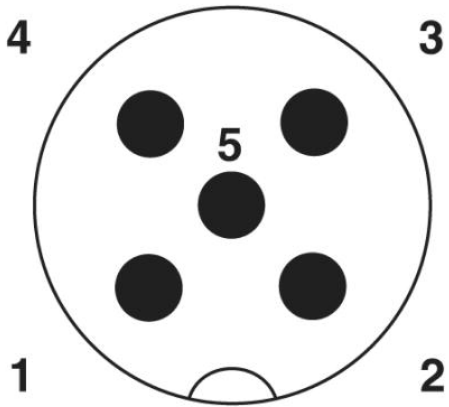
Circuit diagram



Contact assignment of the M12 plug and the M12 socket

Schematic diagram

---



Pin assignment M12 male connector, 5-pos., A-coded, male side

**Address**

PHOENIX CONTACT Deutschland GmbH  
Flachmarktstr. 8  
32825 Blomberg, Germany  
Phone +49 5235 3 12000  
Fax +49 5235 3 41200  
<http://www.phoenixcontact.de>



© 2011 Phoenix Contact  
Technical modifications reserved;