


SAC-5P-10,0-520/M12FR VA

Order No.: 1564697

<http://eshop.phoenixcontact.de/phoenix/treeViewClick.do?UID=1564697>Sensor/Actuator cable, 5-position, PVC, Gray RAL 7001, Free
conductor end, on Socket, angled M12, A-coded, Cable length: 10 m**Commercial data**

GTIN (EAN)	 4 046356 308809
Note	Made-to-order
sales group	D112
Pack	5 pcs.
Customs tariff	85444290

Product notesWEEE/RoHS-compliant since:
08/16/2007

[http://
www.download.phoenixcontact.com](http://www.download.phoenixcontact.com)
Please note that the data given
here has been taken from the
online catalog. For comprehensive
information and data, please refer
to the user documentation. The
General Terms and Conditions of
Use apply to Internet downloads.

Technical data**General data**

Rated current at 40°C	4 A
Rated voltage	60 V
Number of positions	5
Length of cable	10 m

General characteristics

Coding	A - standard
Surge voltage category	II
Pollution degree	3

Degree of protection	IP65/IP68/IP69K
Insertion/withdrawal cycles	≥ 100
Contact material	CuSn
Contact surface material	Ni/Au
Contact carrier material	TPU GF
Material of grip body	TPU, hardly inflammable, self-extinguishing
Material, knurls	High-grade steel
Sealing material	NBR
Status display	No

Conductor data

Cable type	PVC gray
Cable abbreviation	LiYY
Conductor cross section	0.34 mm ²
AWG signal line	22
Conductor structure signal line	42x 0.10 mm
Core diameter including insulation	1.45 mm ±0.02 mm
Thickness, insulation	≥ 0.23 mm (Core insulation)
	≥ 0.76 mm (Outer cable sheath)
External cable diameter	5.90 mm
Wire colors	Brown, white, blue, black, gray
External sheath, color	Gray RAL 7001
Insulation resistance	≥ 1 GΩ*km
Conductor resistance	≤ 58 Ω/km
Nominal voltage, conductor	300 V
Test voltage, conductor	3000 V
Overall twist	5 wires around filler to the core
Length of twist, overall twist	55 mm
Outer sheath, material	PVC
Material, filler	PVC
Material conductor insulation	PVC
Conductor material	Bare Cu litz wires
Cable weight	54 kg/km

Certificates / Approvals

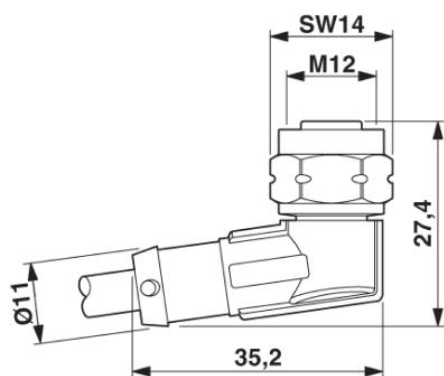


Certification

CUL Listed, UL Listed

Diagrams/Drawings

Dimensioned drawing

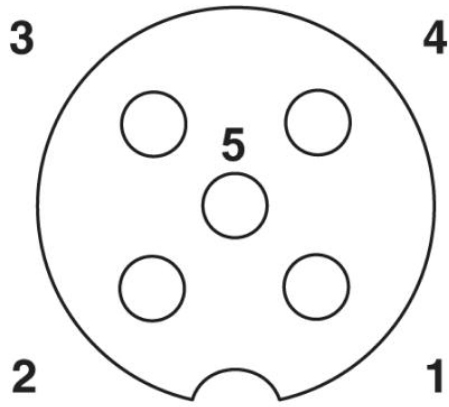


M12 x 1 female connector, angled

Circuit diagram



Schematic diagram



Pin assignment M12 socket, 5-pos., A-coded, socket side view

Address

PHOENIX CONTACT Inc., USA
586 Fulling Mill Road
Middletown, PA 17057, USA
Phone (800) 888-7388
Fax (717) 944-1625
<http://www.phoenixcon.com>



© 2011 Phoenix Contact
Technical modifications reserved;