


VS-15-BU-DSUB-CD-MG

Order No.: 1688926

<http://eshop.phoenixcontact.de/phoenix/treeViewClick.do?UID=1688926>

D-SUB contact carrier, shell size 2, for 15 signal contacts, contact type socket, for crimp contacts, straight, fixing with 4-40 UNC thread, for panel mounting frame VS-15-...

Commercial data

GTIN (EAN)	 4 017918 823078
sales group	D501
Pack	10 pcs.
Customs tariff	85366990
Catalog page information	Page 434 (PC-2011)

Product notes

WEEE/RoHS-compliant since:
03/01/2005



<http://www.download.phoenixcontact.com>
Please note that the data given here has been taken from the online catalog. For comprehensive information and data, please refer to the user documentation. The General Terms and Conditions of Use apply to Internet downloads.

Technical data

Mechanical characteristics

Number of positions	15
Insertion/withdrawal cycles	≥ 500
Connection method	Crimp connection
Ambient temperature (operation)	-55 °C ... 125 °C

Material data

Inflammability class acc. to UL 94	V0
------------------------------------	----

Housing material	Steel, yellow chromated
Contact carrier material	Polyester GF

Electrical characteristics

Rated voltage (III/3)	60 V
Rated surge voltage	1 kV
Rated current	3 A

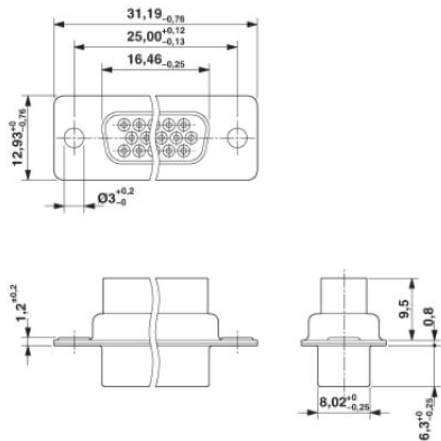
Accessories

Item	Designation	Description
1655263	VS-BU-CD-HD-1,0/13,5/0,37	Crimp contact, for D-SUB contact inserts with high density, socket, connection cross section AWG 22, turned, gold-plated

Diagrams/Drawings

Dimensioned drawing

D-SUB contact carrier



Address

PHOENIX CONTACT Inc., USA
586 Fulling Mill Road
Middletown, PA 17057, USA
Phone (800) 888-7388
Fax (717) 944-1625
<http://www.phoenixcon.com>



© 2011 Phoenix Contact
Technical modifications reserved;