


**SAC-3P-M 8MS/0,6-PUR/M 8FR-2L**

Order No.: 1681994

<http://eshop.phoenixcontact.de/phoenix/treeViewClick.do?UID=1681994>

Sensor/Actuator cable, 3-position, PUR halogen-free, Black-gray RAL 7021, Plug, straightLink:M8, on Socket, angled M8, with 2 LEDs, Cable length: 0.6 m

| Commercial data          |  |
|--------------------------|--|
| GTIN (EAN)               | <br>4 017918 158651 |
| sales group              | D130   |
| Pack                     | 1 pcs.   |
| Customs tariff           | 85444290   |
| Catalog page information | Page 120 (PC-2011)   |

## Product notes

WEEE/RoHS-compliant since:  
09/06/2006



<http://www.download.phoenixcontact.com>  
Please note that the data given here has been taken from the online catalog. For comprehensive information and data, please refer to the user documentation. The General Terms and Conditions of Use apply to Internet downloads.

| Technical data        |        |
|-----------------------|--------|
| <b>General data</b>   |        |
| Rated current at 40°C | 4 A    |
| Rated voltage         | 24 V   |
| Number of positions   | 3      |
| Volume resistance     | ≤ 5 mΩ |

|                                 |  |
|---------------------------------|--|
| Insulation resistance           | ≥ 100 MΩ   |
| Length of cable                 | 0.6 m  |
| Ambient temperature (operation) | -25 °C ... 90 °C (Male connector / female connector) |

#### General characteristics

|                          |   |
|--------------------------|---|
| Standards/regulations    | M8 connector IEC 61076-2-104                |
| Coding                   | A - standard                                |
| Surge voltage category   | II  |
| Pollution degree         | 3   |
| Degree of protection     | IP65/IP68/IP69K                             |
| Torque                   | 0.2 Nm (M8 plug-in connectors)              |
| Contact material         | CuSn  |
| Contact surface material | Ni/Au                                       |
| Contact carrier material | TPU GF                                      |
| Material of grip body    | TPU, hardly inflammable, self-extinguishing |
| Material, knurls         | Zinc die-cast, nickel-plated                |
| Sealing material         | NBR   |
| Status display           | 2 LEDs                                      |

#### Conductor data

|                                    |                                    |
|------------------------------------|------------------------------------|
| Cable type                         | PUR halogen-free black             |
| Cable type (abbreviation)          | PUR                                |
| Cable abbreviation                 | Li9Y11Y-HF                         |
| UL AWM Style                       | 20549                              |
| Conductor cross section            | 0.25 mm <sup>2</sup> (signal line) |
| AWG signal line                    | 24                                 |
| Conductor structure signal line    | 32 x 0.10 mm                       |
| Core diameter including insulation | 1.17 mm ±0.02 mm (signal line)     |
| Thickness, insulation              | ≥ 0.38 mm (Core insulation)        |
|                                    | Approx. 0.9 mm                     |
| External cable diameter            | 4.4 mm ±0.15 mm                    |
| Wire colors                        | Brown, blue, black                 |
| External sheath, color             | Black-gray RAL 7021                |
| Insulation resistance              | ≥ 100 GΩ*km (at 20°C)              |
| Conductor resistance               | ≤ 78 Ω/km (at 20°C)                |
| Nominal voltage, conductor         | ≤ 300 V                            |

|   |   |
|---|---|
| Test voltage, conductor                       | ≥ 3000 V  |
| Overall twist                                 | 3 wires, twisted  |
| Length of twist, overall twist                | 40 mm   |
| Outer sheath, material                        | PUR   |
| Material conductor insulation                 | PP  |
| Conductor material                            | Bare Cu litz wires  |
| Cable weight                                  | 24 kg/km  |
| Smallest bending radius, fixed installation   | 22 mm   |
| Smallest bending radius, movable installation | 44 mm   |
| Number of bending cycles                      | 4000000   |
| Bending radius                                | 44 mm   |
| Traversing path                               | 10 m  |
| Traversing rate                               | 3 m/s   |
| Acceleration                                  | 10 m/s <sup>2</sup>   |
| Ambient temperature (operation)               | -40 °C ... 80 °C (cable, fixed installation)<br>-25 °C ... 80 °C (cable, flexible installation)                           |
| Special properties                            | Flexible cable conduit capable<br>Silicone-free<br>Free of substances which would hinder coating with paint or varnish    |
| Flame resistance                              | in accordance with DIN UL-Style 20549   |
| Halogen-free                                  | in accordance with DIN VDE 0472 part 815  |
| Resistance to oil                             | in accordance with DIN EN 60811-2-1   |
| Other resistance                              | hydrolysis and microbe resistant<br>Highly resistant to acids, alkaline solutions and solvents<br>Resistant to salt water |

#### Certificates / Approvals

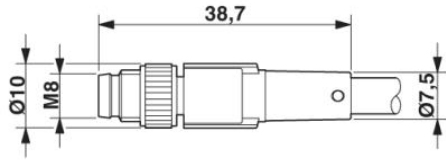


Certification

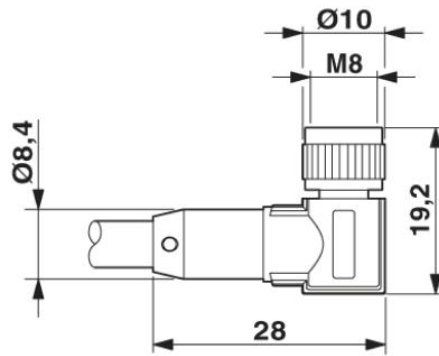
CUL Listed, GOST, UL Listed

**Diagrams/Drawings**

Dimensioned drawing

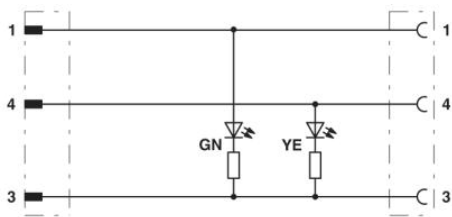


M8 x 1 male connector, straight version



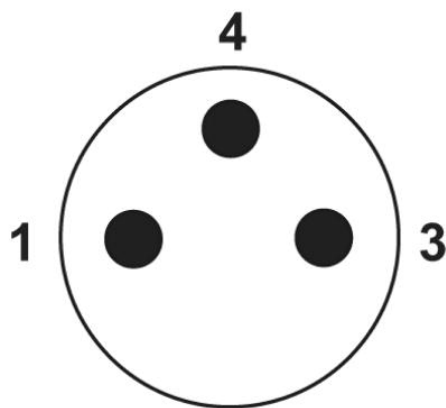
Socket M8 x 1, angled

Circuit diagram

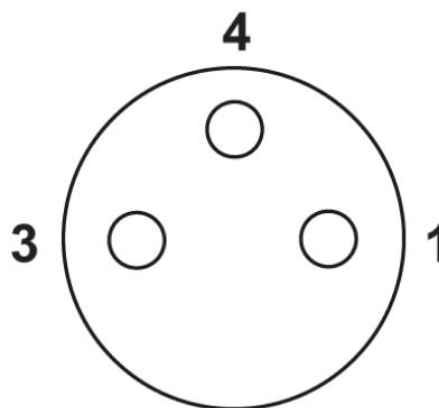


Contact assignment of M8 plugs/sockets

Schematic diagram

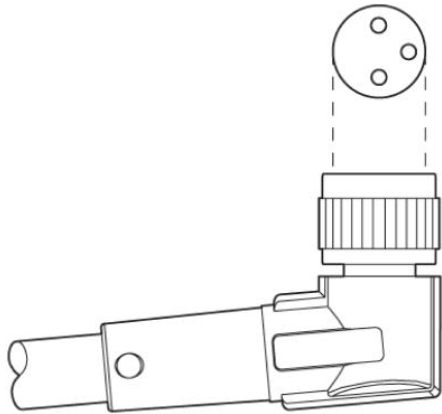


Pin assignment M8 plug, 3-pos., view male side



Pin assignment M8 socket, 3-pos., view female side

Layout of connector pin assignments



**Address**

PHOENIX CONTACT Inc., USA  
586 Fulling Mill Road  
Middletown, PA 17057, USA  
Phone (800) 888-7388  
Fax (717) 944-1625  
<http://www.phoenixcon.com>



© 2011 Phoenix Contact  
Technical modifications reserved;