


SAC-3P-M12Y/2XM 8FS

Order No.: 1683471

<http://eshop.phoenixcontact.de/phoenix/treeViewClick.do?UID=1683471>Y-distributor/ connector M12, with female connector M8, 3-pos.
distributor**Commercial data**

GTIN (EAN)	 4 017918 166939
sales group	D116
Pack	5 pcs.
Customs tariff	85366990
Catalog page information	Page 160 (PC-2011)

Product notesWEEE/RoHS-compliant since:
08/01/2005

<http://www.download.phoenixcontact.com>
Please note that the data given here has been taken from the online catalog. For comprehensive information and data, please refer to the user documentation. The General Terms and Conditions of Use apply to Internet downloads.

Technical data**General data**

Rated current at 40°C	4 A
Rated voltage	60 V
Number of positions	3
Volume resistance	≤ 5 mΩ
Insulation resistance	≥ 10 GΩ

Ambient temperature (operation)	-25 °C ... 90 °C
General characteristics	
Standards/regulations	M12 connector IEC 61076-2-101 M8 connector IEC 61076-2-104
Coding	A - standard
Center distance	12 mm
Surge voltage category	II
Pollution degree	3
Degree of protection	IP65/IP67
Insertion/withdrawal cycles	≥ 100
Torque	0.4 Nm (M12 connector) 0.2 Nm (M8 plug-in connectors)
Contact material	CuZn
Contact surface material	Ni/Au
Contact carrier material	TPU GF
Material of grip body	TPU, hardly inflammable, self-extinguishing
Material, knurls	Zinc die-cast, nickel-plated
Sealing material	NBR
Status display	No

Certificates / Approvals



Certification GOST

Accessories

Item	Designation	Description
------	-------------	-------------

Protection and sealing elements

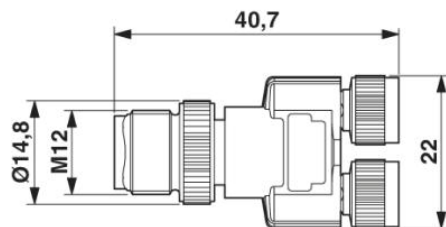
1560251	PROT-M12 FS	M12 sealing cap for unoccupied M12 connectors of the sensor/ actuator cable, flush-type connectors and I/O devices in the field
1682540	PROT-M8	An M8 screw plug for the unoccupied M8 sockets of the sensor/ actuator cable, boxes and flush-type connectors

Tools

1208432	SAC BIT M12-D15	Nut for assembling sensor/actuator cables with M12 connector and for M12 connectors with QUICKON fast connection technology, for 4 mm hexagonal drive
1208461	SAC BIT M8-D10	Nut for assembling sensor/actuator cables with M8 connector and for M8 connectors with QUICKON fast connection technology, for 4 mm hexagonal drive
1208487	TSD 02 SAC	Torque screwdriver, with preset torque of 0.2 Nm and 4 mm hexagonal drive for M8 connectors
1208429	TSD 04 SAC	Torque screwdriver, with preset torque of 0.4 Nm and 4 mm hexagonal drive for M12 connectors

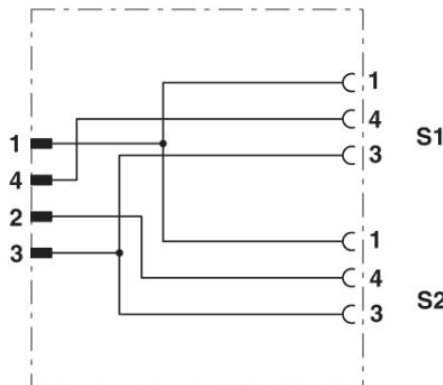
Diagrams/Drawings

Dimensioned drawing



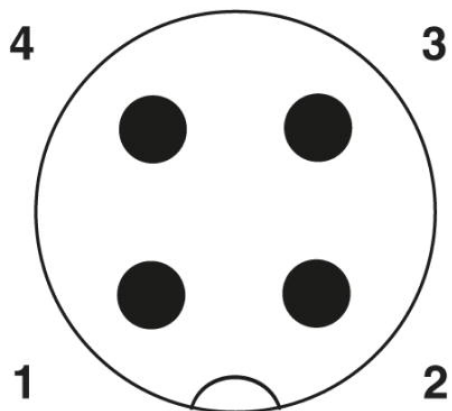
M12 Y distributor

Circuit diagram

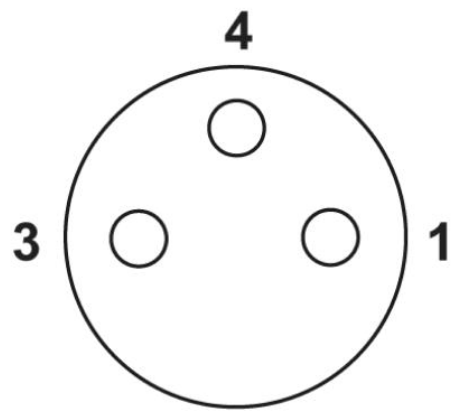


Contact assignment of the M12/M8 Y distributor

Schematic diagram

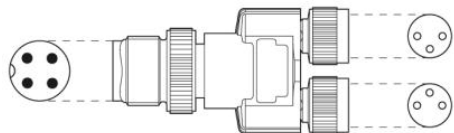


Pin assignment M12 plug, 4-pos., A-coded, view plug side



Pin assignment M8 socket, 3-pos., view female side

Layout of connector pin assignments



Address

PHOENIX CONTACT Inc., USA
586 Fulling Mill Road
Middletown, PA 17057, USA
Phone (800) 888-7388
Fax (717) 944-1625
<http://www.phoenixcon.com>



© 2011 Phoenix Contact
Technical modifications reserved;