

## SACB-4/ 8-L-M23 180

Order No.: 1692682


The illustration shows a version with 8 slots



<http://eshop.phoenixcontact.de/phoenix/treeViewClick.do?UID=1692682>

Sensor/actuator box, M12 female connector, Number of slots: 4, Number of positions: 5, Slot assignment: Double, Status indication: Yes, pnp; Master cable connection: M23 plug connection 180°, Shielding: No

### Commercial data

GTIN (EAN)	 4 017918 177751
sales group	D108
Pack	1 pcs.
Customs tariff	85366990
Catalog page information	Page 114 (PC-2009)

### Product notes

WEEE/RoHS-compliant since:  
04/27/2006



<http://www.download.phoenixcontact.com>  
Please note that the data given here has been taken from the online catalog. For comprehensive information and data, please refer to the user documentation. The General Terms and Conditions of Use apply to Internet downloads.

### Technical data

#### General data

Rated voltage	24 V DC
Max. operating voltage $U_{max}$	30 V DC
Current carrying capacity per I/O signal	2 A

Current carrying capacity per slot	4 A
Total rated current	12 A
Number of positions	5
Number of slots	4
Degree of protection	IP65/IP67
Inflammability class acc. to UL 94	V0
Ambient temperature (operation)	-20 °C ... 75 °C
Sensor/actuator connection system	M12 female connector

#### Local diagnostics function

Local diagnostics	Supply voltage Green LED
	Status display I/O Yellow LED

#### Master cable data

Connection method	M23 plug connection
Tightening torque slot sensor/actuator cable	0.4 Nm
Tightening torque screw plug	0.4 Nm

#### Insulation material

Housing material	PA
Contact material	CuSn
Contact surface material	Ni/Au
Contact carrier material	PA
Material of contact, master cable side	CU alloy
Material of contact surface, master cable side	Gold-plated
Material of the contact carrier on the master cable side	PA
Material of threaded sleeve	Zinc die-cast
Material, O-ring	NBR

#### Pin assignment

Slot/position = Wire color or connection	1 / 4 (A) = 15
--	----------------

	1 / 2 (B) = 7
	2 / 4 (A) = 5
	2 / 2 (B) = 4
	3 / 4 (A) = 16
	3 / 2 (B) = 8
	4 / 4 (A) = 3
	4 / 2 (B) = 14
	1-4 / 1 (+ 24 V) = 19
	1-4 / 3 (0 V) = 6
	1-4 / 5 (PE) = 12

### Certificates / Approvals



Certification

CUL, GOST, UL

### Accessories

Item	Designation	Description
<b>General</b>		
1665062	PLUSCON-RCS	Special pipe spanner, tool for mounting the M23 connector housing (with assembly), for coupling and sleeve housing
<b>Marking</b>		
2809128	ZBN 18:UNBEDRUCKT	Unprinted marker labels, strips with 5 labels for individual labeling with M-PEN or CMS system, for terminal block width: 17.5 mm, color: White
<b>Protection and sealing elements</b>		
1680539	PROT-M12	An M12 screw plug for the unoccupied M12 sockets of the sensor/ actuator cable, boxes and flush-type connectors
<b>Sealing cap</b>		
1685013	KSK 1	Plastic sealing cap, for unoccupied M23 connectors
1665897	MSK 1	M23 metal sealing cap, for unoccupied M23 connectors, without steel wire

1665907	MSK 2	M23 metal sealing cap, for unoccupied M23 connectors, with steel wire
---------	-------	---

**Socket**

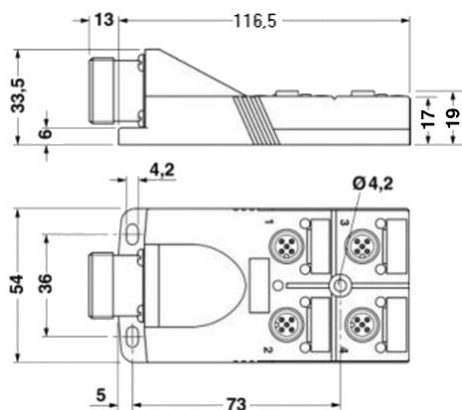
1684056	RCK-TGUM/BL16+3/ 5,0PUR-U	Female connector, Number of positions: 19, Status indication: No; Master cable connection: M23 socket, Cable length: 5 m, Shielding: No
1684069	RCK-TGUM/BL16+3/10,0PUR-U	Female connector, Number of positions: 19, Status indication: No; Master cable connection: M23 socket, Cable length: 10 m, Shielding: No
1684072	RCK-TWUM/BL16+3/ 5,0PUR-U	Female connector, Number of positions: 19, Status indication: No; Master cable connection: M23 socket, Cable length: 5 m, Shielding: No
1684085	RCK-TWUM/BL16+3/10,0PUR-U	Female connector, Number of positions: 19, Status indication: No; Master cable connection: M23 socket, Cable length: 10 m, Shielding: No
1000042	V-RC/TGUM 13/KVD 13/LBL 16+3	M23 socket, 19-pos., straight, freely configurable, with solder connection, for external cable diameter of 10 mm ... 14 mm
1000044	V-RC/TWUM 13/KVD 13/LBL 16+3	M23 socket, 19-pos., angled, freely configurable, with solder connection, for external cable diameter of 10 mm ... 14 mm

**Tools**

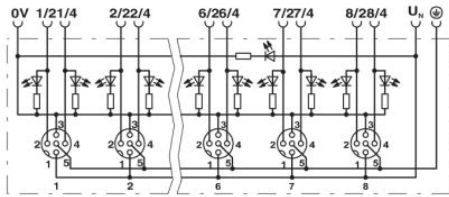
1208432	SAC BIT M12-D15	Nut for assembling sensor/actuator cables with M12 connector and for M12 connectors with QUICKON fast connection technology, for 4 mm hexagonal drive
1208445	SACC BIT M12-D20	Nut for assembling SACC M12 connectors for free assembly, excluding M12 connectors with QUICKON fast connection technology, for 4 mm hexagonal drive
1208429	TSD 04 SAC	Torque screwdriver, with preset torque of 0.4 Nm and 4 mm hexagonal drive for M12 connectors

**Diagrams/Drawings**

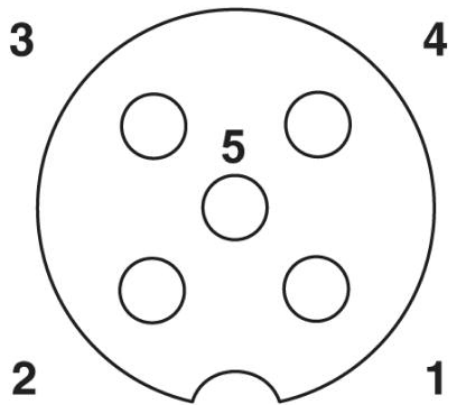
Dimensioned drawing



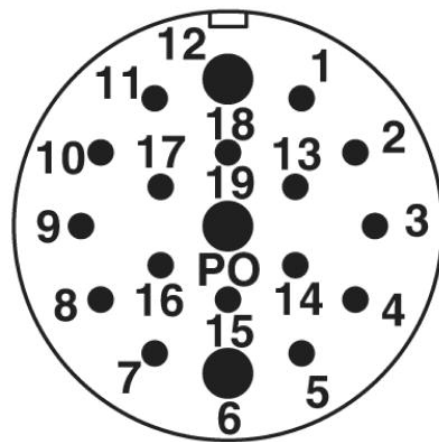
Circuit diagram



Schematic diagram



M12 slot, socket, 5-pos.



M23 plug connection pin, 19-pos.

**Address**

PHOENIX CONTACT Inc., USA  
586 Fulling Mill Road  
Middletown, PA 17057, USA  
Phone (800) 888-7388  
Fax (717) 944-1625  
<http://www.phoenixcon.com>



© 2011 Phoenix Contact  
Technical modifications reserved;