

## SAC-4P-M12MS/1,5-PUR/M12FR D

Order No.: 1696073


The illustration shows cable in straight and angled versions connected to an angled female connector



<http://eshop.phoenixcontact.de/phoenix/treeViewClick.do?UID=1696073>

Sensor/Actuator cable, 4-position, PUR/PVC, Yellow RAL 1021, Plug, straightLink:M12, A-coded, on Socket, angled M12, A-coded, Cable length: 1.5 m



| Commercial data          |  |
|--------------------------|--|
| GTIN (EAN)               | <br>4 017918 181048 |
| Note                     | Made-to-order  |
| sales group              | D111   |
| Pack                     | 1 pcs.   |
| Customs tariff           | 85444290   |
| Catalog page information | Page 104 (PC-2002)   |

### Product notes

WEEE/RoHS-compliant since:  
06/01/2005



<http://www.download.phoenixcontact.com>  
Please note that the data given here has been taken from the online catalog. For comprehensive information and data, please refer to the user documentation. The General Terms and Conditions of Use apply to Internet downloads.

## Technical data

| General data          |     |
|-----------------------|-----|
| Rated current at 40°C | 4 A |
| Number of positions   | 4   |

|                                 |  |
|---------------------------------|--|
| Volume resistance               | ≤ 5 mΩ   |
| Insulation resistance           | ≥ 100 MΩ   |
| Length of cable                 | 1.5 m  |
| Ambient temperature (operation) | -25 °C ... 90 °C (Male connector / female connector) |

#### General characteristics

|                             |   |
|-----------------------------|---|
| Coding                      | A - standard                                |
| Surge voltage category      | II  |
| Pollution degree            | 3   |
| Degree of protection        | IP65/IP68/IP69K                             |
| Insertion/withdrawal cycles | ≥ 100                                       |
| Contact material            | CuSn  |
| Contact surface material    | Ni/Au                                       |
| Contact carrier material    | TPU GF                                      |
| Material of grip body       | TPU, hardly inflammable, self-extinguishing |
| Material, knurls            | Zinc die-cast, nickel-plated                |
| Sealing material            | NBR   |
| Status display              | No  |

#### Conductor data

|                                    |                                |
|------------------------------------|--------------------------------|
| Cable type                         | PUR/PVC yellow                 |
| Cable abbreviation                 | LiYY-11Y                       |
| Conductor cross section            | 0.34 mm <sup>2</sup>           |
| AWG signal line                    | 22                             |
| Conductor structure signal line    | 42x 0.10 mm                    |
| Core diameter including insulation | 1.5 mm ±0.05 mm                |
| Thickness, insulation              | ≥ 0.3 mm (Core insulation)     |
|                                    | ≥ 0.38 mm (Outer cable sheath) |
|                                    | Approx. 0.35 mm (Inner sheath) |
| External cable diameter            | 5.20 mm                        |
| Wire colors                        | Brown, white, blue, black      |
| External sheath, color             | Yellow RAL 1021                |
| Insulation resistance              | ≥ 1 GΩ*km                      |
| Conductor resistance               | max. 58 Ω/km                   |
| Nominal voltage, conductor         | 300 V                          |
| Test voltage, conductor            | 3000 V                         |

|   |  |
|---|--|
| Overall twist                                 | 4 wires, twisted                               |
| Outer sheath, material                        | PUR  |
| Material, inner sheath                        | PVC  |
| Material conductor insulation                 | PVC  |
| Conductor material                            | Bare Cu litz wires                             |
| Cable weight                                  | 39 kg/km                                       |
| Smallest bending radius, fixed installation   | 52 mm  |
| Smallest bending radius, movable installation | 52 mm  |
| Number of bending cycles                      | 2000000  |
| Bending radius                                | 52 mm  |
| Traversing path                               | 5 m  |
| Traversing rate                               | 3 m/s  |
| Ambient temperature (operation)               | -25 °C ... 80 °C (cable, fixed installation)   |
|   | -5 °C ... 80 °C (cable, flexible installation) |

### Certificates / Approvals

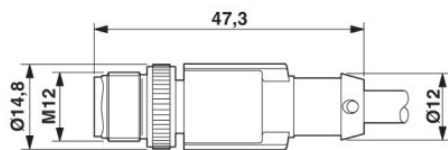


Certification

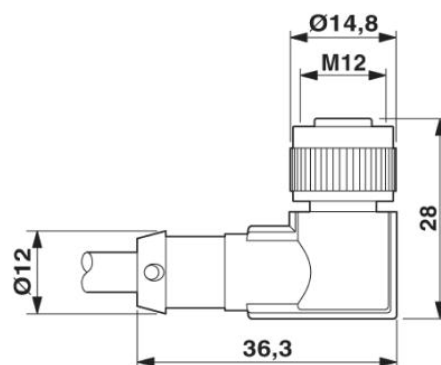
CUL Listed, GOST, UL Listed

### Diagrams/Drawings

Dimensioned drawing



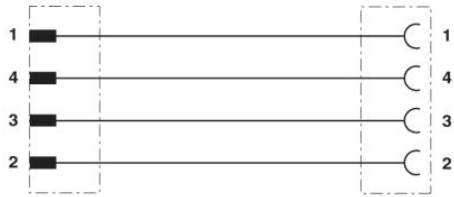
M12 x 1 male connector, straight, shielded



M12 x 1 female connector, angled, shielded

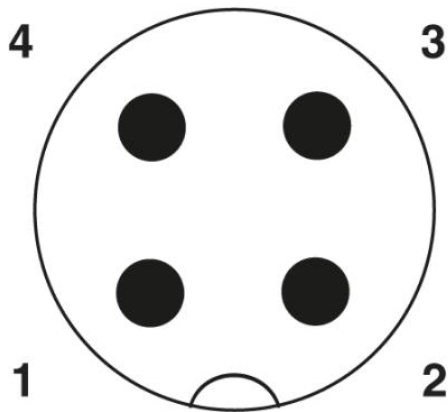
Circuit diagram

---

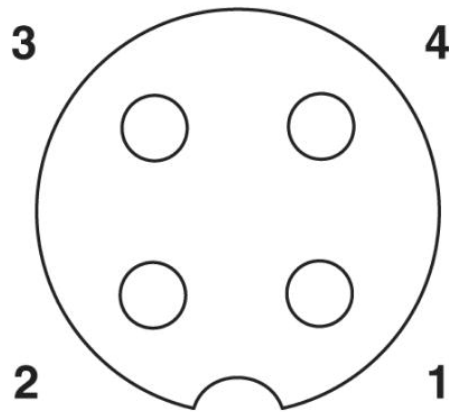


Schematic diagram

---



Pin assignment M12 plug, 4-pos., A-coded, view plug side



Pin assignment M12 socket, 12-pos., A-coded, view female side

**Address**

PHOENIX CONTACT Inc., USA  
586 Fulling Mill Road  
Middletown, PA 17057, USA  
Phone (800) 888-7388  
Fax (717) 944-1625  
<http://www.phoenixcon.com>



© 2011 Phoenix Contact  
Technical modifications reserved;