


**FRONT 2,5-V/SA 5/ 2**

Order No.: 1700244

<http://eshop.phoenixcontact.de/phoenix/treeViewClick.do?UID=1700244>

PC terminal block, Nominal current: 24 A, Nom. voltage: 400 V, Pitch: 5 mm, Number of positions: 2, Connection method: Screw connection, Mounting: Soldering, Conductor/PCB connection direction: 90 °, Color: gray, The article can be aligned to create different nos. of positions!

**Commercial data**

GTIN (EAN)	 4 017918 257163
Note	Made-to-order
sales group	E053
Pack	10 pcs.
Customs tariff	85369010
Catalog page information	Page 107 (CC-2011)

**Product notes**WEEE/RoHS-compliant since:  
01/28/2005

<http://www.download.phoenixcontact.com>  
Please note that the data given here has been taken from the online catalog. For comprehensive information and data, please refer to the user documentation. The General Terms and Conditions of Use apply to Internet downloads.

**Certificates / Approvals**

Certification

CSA, CUL, UL

**Accessories**

Item	Designation	Description
------	-------------	-------------

**Assembly**

1700011	D-FRONT 2,5-V-O.Z.	End cover, necessary at the end of a terminal row, 2.5 mm thick, color: green
1700082	RZ 2,5-FRONT 2,5 V	Pitch spacer, raises the pitch by 2.5 mm, interlocks with terminal block of the same shape, color: green

**Marking**

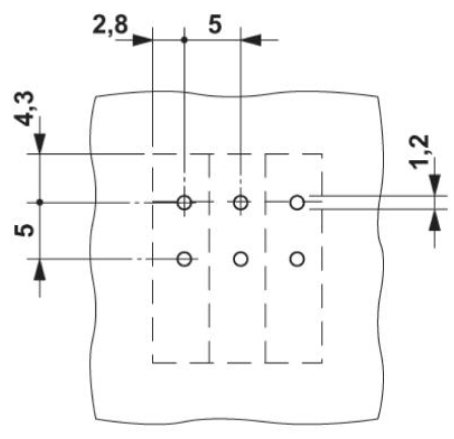
0804183	SK 5/3,8:FORTL.ZAHLEN	Marker card, printed horizontally, self-adhesive, 12 identical decades marked 1-10, 11-20 etc. up to 91-(99)100, sufficient for 120 terminal blocks
---------	-----------------------	---

**Tools**

1205053	SZS 0,6X3,5	Actuation tool, for ST terminal blocks, insulated, also suitable for use as a bladed screwdriver, size: 0.6 x 3.5 x 100 mm, 2-component grip, with non-slip grip
---------	-------------	--

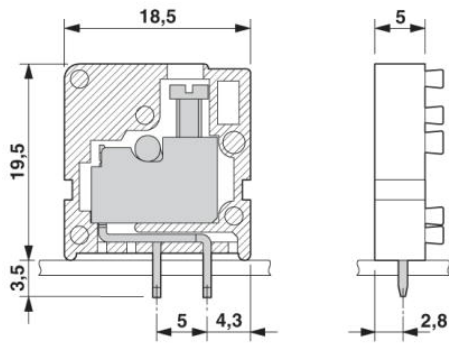
**Diagrams/Drawings**

Drilling plan/solder pad geometry



Dimensioned drawing

---



**Address**

PHOENIX CONTACT Inc., USA  
586 Fulling Mill Road  
Middletown, PA 17057, USA  
Phone (800) 888-7388  
Fax (717) 944-1625  
<http://www.phoenixcon.com>



© 2011 Phoenix Contact  
Technical modifications reserved;