


**ZFKDSA 1-V-6,35**

Order No.: 1707357

<http://eshop.phoenixcontact.de/phoenix/treeViewClick.do?UID=1707357>

PC terminal block, Nominal current: 12 A, Nom. voltage: 320 V, Pitch:  
3.81 mm, Number of positions: 1, Connection method: Spring-cage  
conn., Mounting: Soldering, Conductor/PCB connection direction: 90 °,  
Color: green

Commercial data	
GTIN (EAN)	 4 017918 144791
sales group	E062
Pack	50 pcs.
Customs tariff	85369010
Catalog page information	Page 41 (CC-2005)

## Product notes

WEEE/RoHS-compliant since:  
01/01/2003

[http://  
www.download.phoenixcontact.com](http://www.download.phoenixcontact.com)  
Please note that the data given  
here has been taken from the  
online catalog. For comprehensive  
information and data, please refer  
to the user documentation. The  
General Terms and Conditions of  
Use apply to Internet downloads.

## Certificates / Approvals



Certification

CUL, UL

### Accessories

Item	Designation	Description
------	-------------	-------------

### Marking

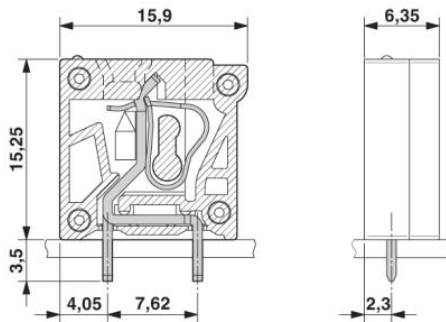
0804109	SK 3,81/2,8:FORTL.ZAHLEN	Marker card, printed horizontally, self-adhesive, 10-section marker strip, 14 identical decades marked 1-10, 11-20 etc. up to 91-(99)100, sufficient for 140 terminal blocks
---------	--------------------------	--

### Tools

1204504	SZF 0-0,4X2,5	Actuation tool, for ST terminal blocks, also suitable for use as a bladed screwdriver, size: 0.4 x 2.5 x 75 mm, 2-component grip, with non-slip grip
---------	---------------	--

### Diagrams/Drawings

Dimensioned drawing



**Address**

PHOENIX CONTACT Inc., USA  
586 Fulling Mill Road  
Middletown, PA 17057, USA  
Phone (800) 888-7388  
Fax (717) 944-1625  
<http://www.phoenixcon.com>



© 2011 Phoenix Contact  
Technical modifications reserved;