


**PST 1,3/ 3-5,0 R24**

Order No.: 1713169

<http://eshop.phoenixcontact.de/phoenix/treeViewClick.do?UID=1713169>

Header, Nominal current: 12 A, Rated voltage (III/2): 320 V, Number of positions: 3, Pitch: 5 mm, Color: Black, Assembly: Taped SMD/THT/THR components, Voltage and current depend on the plug-in terminal block used.

**Commercial data**

GTIN (EAN)	 4 046356 088992
sales group	E432
Pack	330 pcs.
Customs tariff	85366990
Catalog page information	Page 539 (CC-2011)

**Product notes**WEEE/RoHS-compliant since:  
08/11/2005

<http://www.download.phoenixcontact.com>  
Please note that the data given here has been taken from the online catalog. For comprehensive information and data, please refer to the user documentation. The General Terms and Conditions of Use apply to Internet downloads.

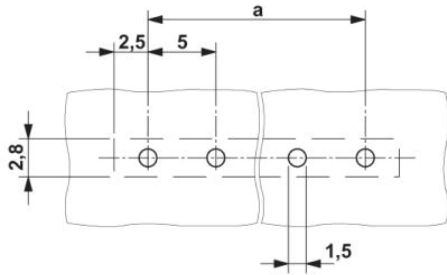
**Certificates / Approvals**

Certification

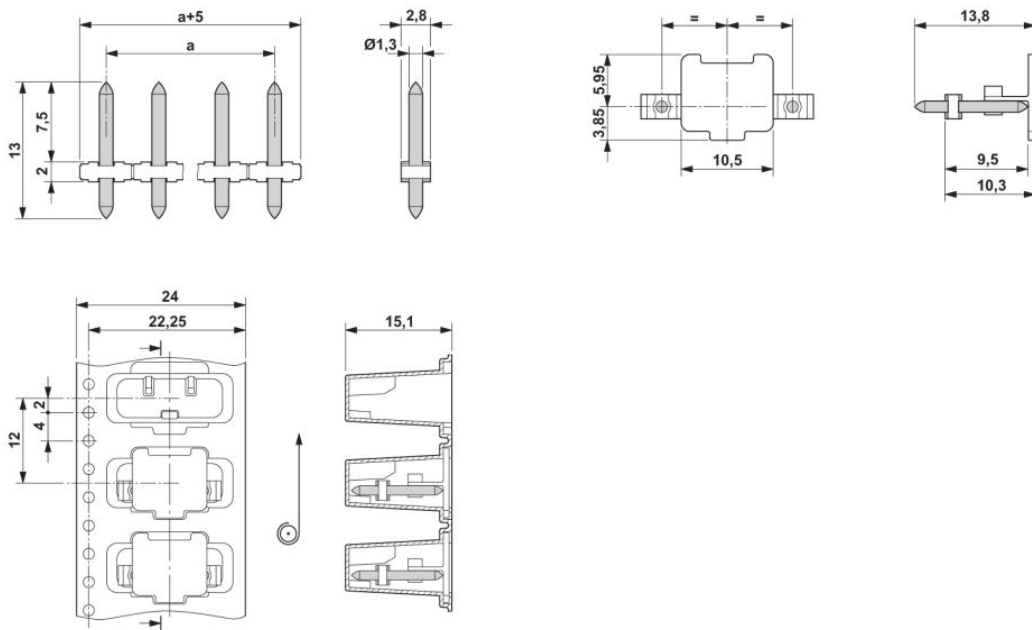
CCA, CSA, CUL, GOST, SEV, UL

## Diagrams/Drawings

### Drilling plan/solder pad geometry



### Dimensioned drawing



**Address**

PHOENIX CONTACT Inc., USA  
586 Fulling Mill Road  
Middletown, PA 17057, USA  
Phone (800) 888-7388  
Fax (717) 944-1625  
<http://www.phoenixcon.com>



© 2011 Phoenix Contact  
Technical modifications reserved;