


## PST 1,3/ 2-5,0 R24

Order No.: 1720301

<http://eshop.phoenixcontact.de/phoenix/treeViewClick.do?UID=1720301>

Header, Nominal current: 12 A, Rated voltage (III/2): 320 V, Number of positions: 2, Pitch: 5 mm, Color: Black, Assembly: Taped SMD/THT/THR components, Voltage and current depend on the plug-in terminal block used.

### Commercial data

GTIN (EAN)	
sales group	E432
Pack	330 pcs.
Customs tariff	85366990
Catalog page information	Page 539 (CC-2011)

### Product notes

WEEE/RoHS-compliant since:  
12/14/2005



<http://www.download.phoenixcontact.com>  
Please note that the data given here has been taken from the online catalog. For comprehensive information and data, please refer to the user documentation. The General Terms and Conditions of Use apply to Internet downloads.

### Technical data

#### Dimensions / positions

Length	2.8 mm
Pitch	5 mm
Dimension a	5 mm

Number of positions	2
Pin dimensions	1,3 mm
Hole diameter	1.6 mm

**Technical data**

Range of articles	PST 1,3/..-V
Insulating material group	IIIa
Rated surge voltage (III/3)	4 kV
Rated surge voltage (III/2)	4 kV
Rated surge voltage (II/2)	4 kV
Rated voltage (III/2)	320 V
Rated voltage (II/2)	400 V
Connection in acc. with standard	EN-VDE
Nominal current $I_N$	12 A (depends on the plug used)
Nominal voltage $U_N$	250 V
Maximum load current	12 A (depends on the plug used)
Insulating material	PA
Inflammability class acc. to UL 94	V0
Color	Black
Nominal voltage, UL/CUL Use Group B	300 V
Nominal current, UL/CUL Use Group B	16 A
Nominal voltage, UL/CUL Use Group D	300 V
Nominal current, UL/CUL Use Group D	10 A

**Certificates / Approvals**

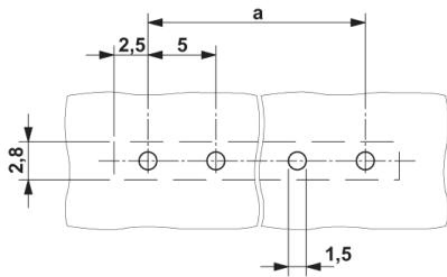


Certification

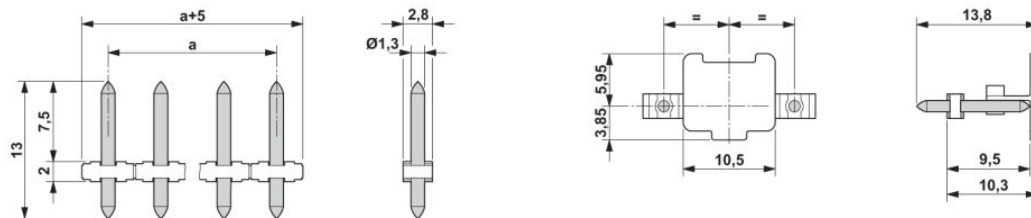
CCA, CSA, CUL, GOST, SEV, UL

## Diagrams/Drawings

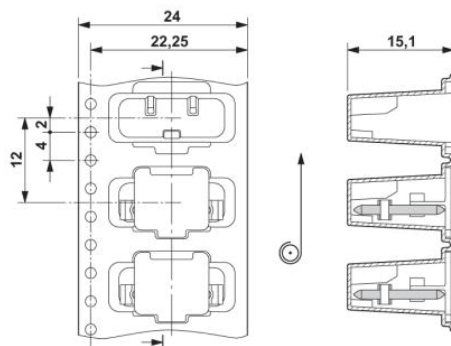
### Drilling plan/solder pad geometry



### Dimensioned drawing



Pad position for PST 1,3/...5,0 R...



**Address**

PHOENIX CONTACT Inc., USA  
586 Fulling Mill Road  
Middletown, PA 17057, USA  
Phone (800) 888-7388  
Fax (717) 944-1625  
<http://www.phoenixcon.com>



© 2011 Phoenix Contact  
Technical modifications reserved;