


**SKBD 20/MT-FLRP**

Order No.: 2202505

<http://eshop.phoenixcontact.de/phoenix/treeViewClick.do?UID=2202505>

Plug component, Number of positions: 20, Pitch: 5 mm

**Commercial data**

GTIN (EAN)	 4 017918 053277
sales group	E200
Pack	10 pcs.
Customs tariff	85369010
Catalog page information	Page 263 (CC-2002)

**Product notes**WEEE/RoHS-compliant since:  
01/01/2003

<http://www.download.phoenixcontact.com>  
Please note that the data given here has been taken from the online catalog. For comprehensive information and data, please refer to the user documentation. The General Terms and Conditions of Use apply to Internet downloads.

**Technical data****Dimensions / positions**

Pitch	5 mm
Number of positions	20
Screw thread	M3
Tightening torque, min	0.5 Nm
Tightening torque max	0.6 Nm

**Technical data**

Range of articles	SKBD
Nominal cross section	2.5 mm <sup>2</sup>
Stripping length	8 mm

**Certificates / Approvals**

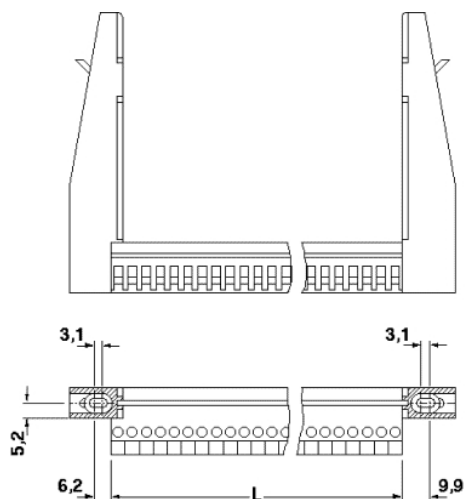


Certification

GOST

**Diagrams/Drawings**

Dimensioned drawing



**Address**

PHOENIX CONTACT Inc., USA  
586 Fulling Mill Road  
Middletown, PA 17057, USA  
Phone (800) 888-7388  
Fax (717) 944-1625  
<http://www.phoenixcon.com>



© 2011 Phoenix Contact  
Technical modifications reserved;