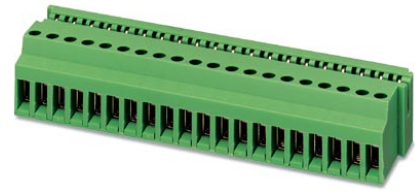


SKBD 15/MT


Order No.: 2202602

The illustration shows a 20-position version

<http://eshop.phoenixcontact.de/phoenix/treeViewClick.do?UID=2202602>

Plug-in card block, Nominal current: 5 A, Number of positions: 15,
Pitch: 5 mm, Connection method: Screw connection, Color: Green

Commercial data

| | |
|--------------------------|--|
| GTIN (EAN) |  4 017918 053345 |
| Note | Made-to-order |
| sales group | E200 |
| Pack | 10 pcs. |
| Customs tariff | 85369010 |
| Catalog page information | Page 263 (CC-2002) |

Product notes

WEEE/RoHS-compliant since:
01/01/2003



[http://
www.download.phoenixcontact.com](http://www.download.phoenixcontact.com)
Please note that the data given
here has been taken from the
online catalog. For comprehensive
information and data, please refer
to the user documentation. The
General Terms and Conditions of
Use apply to Internet downloads.

Technical data

Dimensions / positions

| | |
|------------------------|---------|
| Length | 23.6 mm |
| Height | 18.4 mm |
| Pitch | 5 mm |
| Number of positions | 15 |
| Screw thread | M3 |
| Tightening torque, min | 0.5 Nm |
| Tightening torque max | 0.6 Nm |

Technical data

| | |
|----------------------------------|--|
| Range of articles | SKBD |
| Connection in acc. with standard | EN-VDE |
| Nominal current I_N | 5 A (applies to gold-plated contacts of the PCB) |
| Nominal voltage U_N | 400 V |
| Nominal cross section | 2.5 mm ² |
| Stripping length | 8 mm |

Connection data

| | |
|--|---------------------|
| Conductor cross section solid min. | 0.2 mm ² |
| Conductor cross section solid max. | 2.5 mm ² |
| Conductor cross section stranded min. | 0.2 mm ² |
| Conductor cross section stranded max. | 1.5 mm ² |
| Conductor cross section AWG/kcmil min. | 24 |
| Conductor cross section AWG/kcmil max | 14 |

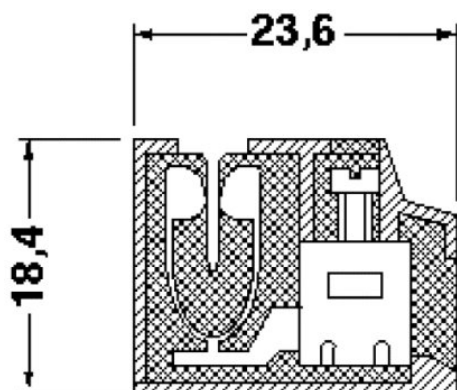
Certificates / Approvals

Certification

GOST, UL

Diagrams/Drawings

Dimensioned drawing



Address

PHOENIX CONTACT Inc., USA
586 Fulling Mill Road
Middletown, PA 17057, USA
Phone (800) 888-7388
Fax (717) 944-1625
<http://www.phoenixcon.com>



© 2011 Phoenix Contact
Technical modifications reserved;