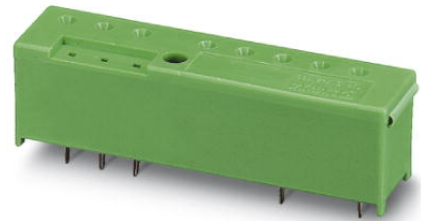



# SIM-AMSC1

Order No.: 2271390



<http://eshop.phoenixcontact.de/phoenix/treeViewClick.do?UID=2271390>

Plug-in base for standard I/O modules, Generation 4 from Opto 22, can be labeled with marker pins BN or BNB

Commercial data	
GTIN (EAN)	
sales group	G168
Pack	50 pcs.
Customs tariff	85369010
Catalog page information	Page 335 (IF-2011)

### Product notes

WEEE/RoHS-compliant since:  
04/11/2006



<http://www.download.phoenixcontact.com>  
Please note that the data given here has been taken from the online catalog. For comprehensive information and data, please refer to the user documentation. The General Terms and Conditions of Use apply to Internet downloads.

Technical data	
<b>General data</b>	
Nominal voltage $U_N$	250 V AC
	380 V AC
Nominal current $I_N$	5 A
Pin dimensions	1,1 x 0,5 mm

Hole diameter	1.4 mm
Color	green
Insulating material	PA
Standards/regulations	DIN VDE 0110b, Gr. C for 250 V DC

### Certificates / Approvals



Certification

GOST, UL

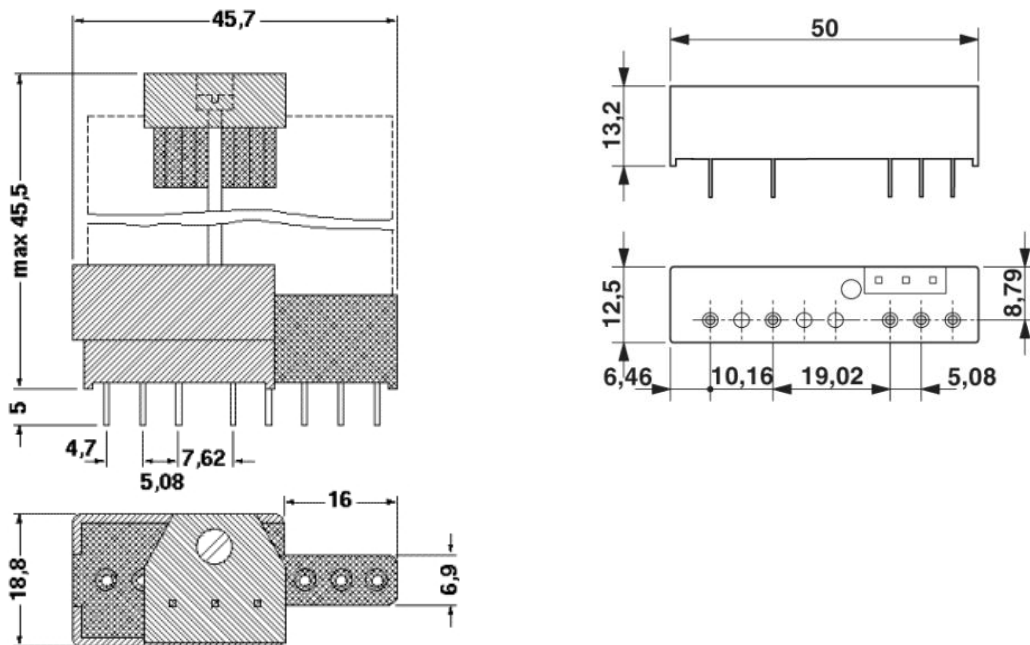
### Accessories

Item	Designation	Description
<b>Marking</b>		
1051993	B-STIFT	Marker pen, for manual labeling of unprinted Zack strips, smear-proof and waterproof, line thickness 0.5 mm
1401404	BN WH	Marker pin, unprinted: for individual labeling with M-PEN, lettering field size: 4 x 4 mm
2701404	BN-TRK	Marker pin, lettering area 7.5 x 4 mm, unprinted for individual labeling with M-PEN
0810902	BNB WH:GROSSBUCHSTABEN	Marker pins, printed with up to 3 digits, 100 identically printed marker pins per package, printed with: Upper case letters A-Z
0810928	BNB WH:SO	Marker pins, printed with up to 3 digits, 100 identically printed marker pins per package, printed according to customer requirements
0810915	BNB WH:SYMBOLE	Marker pins, printed with up to 3 digits, 100 identically printed marker pins per package, printed with: symbols (+, -, /, ~, ERD, SERD, L1, L2, L3 PE, PEN)
0810892	BNB WH:ZAHLEN	Marker pins, printed with up to 3 digits, 100 identically printed marker pins per package, printed with: numbers 1-100
0810944	BNB- TRK:GROSSBUCHSTABEN	Marker pins, printed with up to 4 digits, 100 identically printed marker pins per package, lettering field size: 7.5 x 4 mm, printed with: Upper case letters A-Z
0810960	BNB-TRK:SO	Marker pins, printed with up to 4 digits, 100 identically printed marker pins per package, printed according to customer requirements
0810957	BNB-TRK:SYMBOLE	Marker pins, printed with up to 4 digits, 100 identically printed marker pins per package, lettering field size: 7.5 x 4 mm, printed with: symbols (+, -, /, ~, ERD, SERD, L1, L2, L3, PE, PEN)

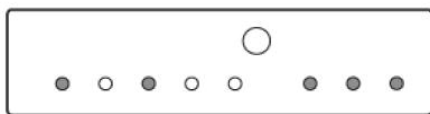
0810931	BNB-TRK:ZAHLEN	Marker pins, printed with up to 4 digits, 100 identically printed marker pins per package, lettering field size: 7.5 x 4 mm, printed with: numbers 0-1000
0811228	X-PEN 0,35	Marker pen without ink cartridge, for manual labeling of markers, labeling extremely wipe-proof, line thickness 0.35 mm

**Diagrams/Drawings**

Dimensioned drawing



Schematic diagram



Contacts in the plug-in socket:  
 A = with metal  
 B = without metal

**Address**

PHOENIX CONTACT Inc., USA  
586 Fulling Mill Road  
Middletown, PA 17057, USA  
Phone (800) 888-7388  
Fax (717) 944-1625  
<http://www.phoenixcon.com>



© 2011 Phoenix Contact  
Technical modifications reserved;