


**PACT MCR-V1-21-44- 50-5A-1**

Order No.: 2277019

<http://eshop.phoenixcontact.de/phoenix/treeViewClick.do?UID=2277019>

Bus-bar current transformer, 50 A AC primary current; 5 A AC secondary current; accuracy class 1; 1.25 VA rated power

**Commercial data**

GTIN (EAN)	 4 046356 305129
sales group	H534
Pack	1 pcs.
Customs tariff	85043129
Catalog page information	Page 697 (IF-2011)

**Product notes**

WEEE/RoHS-compliant since:  
12/05/2007



<http://www.download.phoenixcontact.com>  
Please note that the data given here has been taken from the online catalog. For comprehensive information and data, please refer to the user documentation. The General Terms and Conditions of Use apply to Internet downloads.

**Technical data****Input data**

Thermal rated short-time current	$I_{th} = 60 * I_n$
Rated surge current	$I_{dyn} = 2.5 * I_{th}$
Rated frequency: Standard converter	50 Hz ... 60 Hz
Surge current limitation factor	FS 5

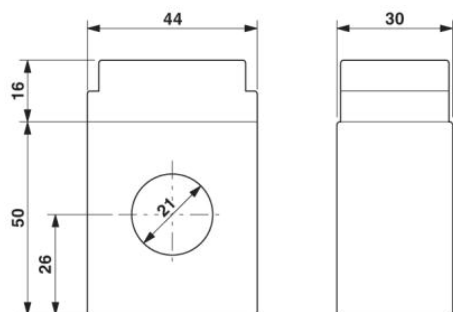
Rated power	1.25 VA
Primary rated current $I_{pn}$	0 A ... 50 A
Secondary rated current $I_{sn}$	5 A AC

**General data**

Converter type	Tube rod converter
Class	1
Can be calibrated	No
Primary round conductor (diameter)	21 mm
Width	30 mm
Height	66 mm
Depth	44 mm
Width with alternative assembly	44 mm
Height with alternative assembly	66 mm
	30 mm
Ambient temperature (operation)	-25 °C ... 40 °C
Ambient temperature (storage/transport)	-25 °C ... 40 °C
Rated insulation voltage	1 kV
Test voltage input/output	3 kV (50 Hz, 1 min.)
Standards/regulations	IEC 60044-1
	EN 50178
Color	black
Housing material	Polyamide PA glass fiber reinforced

**Diagrams/Drawings**

Dimensioned drawing



**Address**

PHOENIX CONTACT Inc., USA  
586 Fulling Mill Road  
Middletown, PA 17057, USA  
Phone (800) 888-7388  
Fax (717) 944-1625  
<http://www.phoenixcon.com>



© 2011 Phoenix Contact  
Technical modifications reserved;