


PACT MCR-V1-21-44-250-5A-1

Order No.: 2277048



<http://eshop.phoenixcontact.de/phoenix/treeViewClick.do?UID=2277048>

Bus-bar current transformer, 250 A AC primary current; 5 A AC secondary current; accuracy class 1; 5 VA rated power

| Commercial data | |
|--------------------------|---|
| GTIN (EAN) |  4 046356 305105 |
| sales group | H534 |
| Pack | 1 pcs. |
| Customs tariff | 85043129 |
| Catalog page information | Page 697 (IF-2011) |

Product notes

WEEE/RoHS-compliant since:
12/05/2007



<http://www.download.phoenixcontact.com>
Please note that the data given here has been taken from the online catalog. For comprehensive information and data, please refer to the user documentation. The General Terms and Conditions of Use apply to Internet downloads.

Technical data

| Input data | |
|-------------------------------------|--------------------------|
| Thermal rated short-time current | $I_{th} = 60 * I_n$ |
| Rated surge current | $I_{dyn} = 2.5 * I_{th}$ |
| Rated frequency: Standard converter | 50 Hz ... 60 Hz |
| Surge current limitation factor | FS 5 |

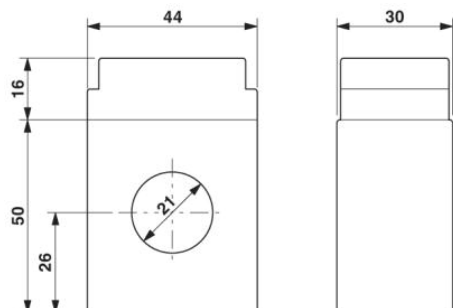
| | |
|----------------------------------|---------------|
| Rated power | 5 VA |
| Primary rated current I_{pn} | 0 A ... 250 A |
| Secondary rated current I_{sn} | 5 A AC |

General data

| | |
|---|-------------------------------------|
| Converter type | Tube rod converter |
| Class | 1 |
| Can be calibrated | No |
| Primary round conductor (diameter) | 21 mm |
| Width | 30 mm |
| Height | 66 mm |
| Depth | 44 mm |
| Width with alternative assembly | 44 mm |
| Height with alternative assembly | 66 mm |
| | 30 mm |
| Ambient temperature (operation) | -25 °C ... 40 °C |
| Ambient temperature (storage/transport) | -25 °C ... 40 °C |
| Rated insulation voltage | 1 kV |
| Test voltage input/output | 3 kV (50 Hz, 1 min.) |
| Standards/regulations | IEC 60044-1 |
| Color | black |
| Housing material | Polyamide PA glass fiber reinforced |

Diagrams/Drawings

Dimensioned drawing



Address

PHOENIX CONTACT Inc., USA
586 Fulling Mill Road
Middletown, PA 17057, USA
Phone (800) 888-7388
Fax (717) 944-1625
<http://www.phoenixcon.com>



© 2011 Phoenix Contact
Technical modifications reserved;