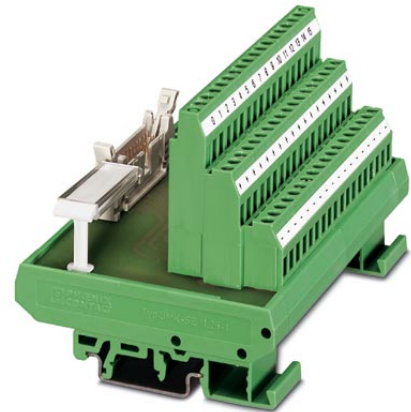



# FLKMS 20/16IM

Order No.: 2282046



<http://eshop.phoenixcontact.de/phoenix/treeViewClick.do?UID=2282046>

VARIOFACE module, for mounting on NS 35/7.5 or NS 32, for connecting 16 proximity switches

Commercial data	
GTIN (EAN)	 4 017918 055134
Note	Made-to-order
sales group	I001
Pack	1 pcs.
Customs tariff	85369010

#### Product notes

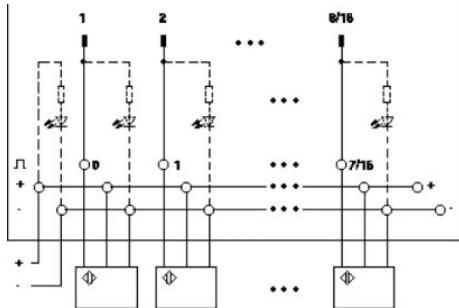
WEEE/RoHS-compliant since:  
03/31/2006



<http://www.download.phoenixcontact.com>  
Please note that the data given here has been taken from the online catalog. For comprehensive information and data, please refer to the user documentation. The General Terms and Conditions of Use apply to Internet downloads.

**Diagrams/Drawings**

Circuit diagram



**Address**

PHOENIX CONTACT Inc., USA  
586 Fulling Mill Road  
Middletown, PA 17057, USA  
Phone (800) 888-7388  
Fax (717) 944-1625  
<http://www.phoenixcon.com>



© 2011 Phoenix Contact  
Technical modifications reserved;