


FLK 50/EZ-DR/D37SUB/ 50/Y81P-O

Order No.: 2302599



<http://eshop.phoenixcontact.de/phoenix/treeViewClick.do?UID=2302599>

System cable for Mitsubishi Electric MELSEC Q Y81P, MELSEC A1S Y81, MELSEC A AY82EP, cable length 0.5 m

Commercial data	
GTIN (EAN)	 4 017918 910273
Note	Made-to-order
sales group	I680
Pack	1 pcs.
Customs tariff	85444290
Catalog page information	Page 222 (IF-2011)

Product notes

WEEE/RoHS-compliant since:
02/01/2006



<http://www.download.phoenixcontact.com>
Please note that the data given here has been taken from the online catalog. For comprehensive information and data, please refer to the user documentation. The General Terms and Conditions of Use apply to Internet downloads.

Technical data

General	
Nominal voltage U_N	< 50 V AC 60 V DC
Max. current carrying capacity per path	1 A
Max. conductor resistance	0.16 Ω /m

Ambient temperature (operation)	-20 °C ... 50 °C
Ambient temperature (storage/transport)	-20 °C ... 70 °C
Number of positions, control side	37
Number of connectors, control side	1
Number of positions, module side	50
Number of connectors, modul side	1
Fixed cable length	0.5 m
Single wire, cross section	0.14 mm ²
AWG	26
Conductor construction: Number of litz wires:	7
Single wire, material	Cu tin-plated
External diameter	10.5 mm
Shielding	no

Certificates / Approvals

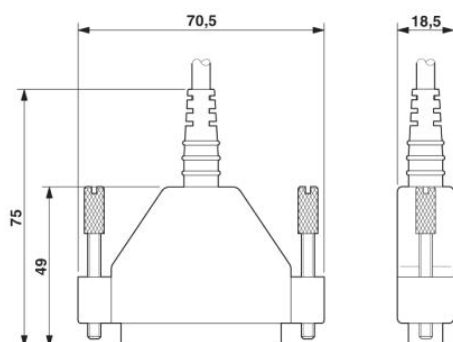


Certification

CUL, UL

Diagrams/Drawings

Dimensioned drawing



Address

PHOENIX CONTACT Inc., USA
586 Fulling Mill Road
Middletown, PA 17057, USA
Phone (800) 888-7388
Fax (717) 944-1625
<http://www.phoenixcon.com>



© 2011 Phoenix Contact
Technical modifications reserved;