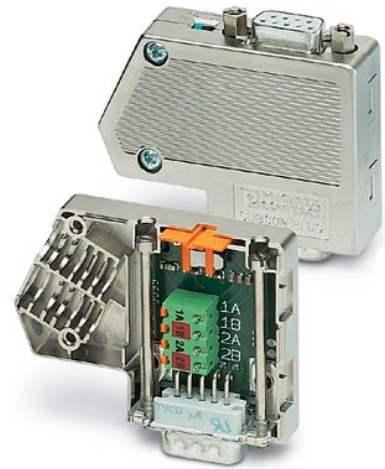


# SUBCON-PLUS-MODBUS/IL/BK


Order No.: 2310808

SUBCON-PLUS-PROFIB




<http://eshop.phoenixcontact.de/phoenix/treeViewClick.do?UID=2310808>

D-SUB connector, 9-pos., male connector, two cables to be fed in at 35°, bus system: for Inline Modbus RTU/ASCII bus coupler termination resistance can be connected via slide switch, pin assignment: 3, 5, 6, 8; screw connection terminal blocks

Commercial data	
GTIN (EAN)	 4 046356 124461
Note	Made-to-order
sales group	H631
Pack	1 pcs.
Customs tariff	85366990
Catalog page information	Page 161 (AX-2011)

**Product notes**

WEEE/RoHS-compliant since:  
10/05/2007



<http://www.download.phoenixcontact.com>  
Please note that the data given here has been taken from the online catalog. For comprehensive information and data, please refer to the user documentation. The General Terms and Conditions of Use apply to Internet downloads.

## Technical data

General data	
Nominal voltage $U_N$	60 V AC/DC

Nominal current I <sub>N</sub>	1 A
Insertion/withdrawal cycles	> 200
Max. cable diameter	10 mm
Min. cable diameter	7.6 mm
SUBCON fixing screws	4-40 UNC
Tightening torque	0.4 Nm
Ambient temperature (operation)	-20 °C ... 75 °C
Housing material	ABS, metal-plated
Pin assignment	3, 5, 6, 8

#### Connection data

Connection	D-SUB connection
Number of positions	9
Connection method	D-SUB connector
Termination resistor	150 Ω (Can be connected externally)
Connection	PCB connection
Connection method	Screw connection
Termination resistor	470 Ω (Can be connected externally)
Conductor cross section solid min.	0.14 mm <sup>2</sup>
Conductor cross section solid max.	1.5 mm <sup>2</sup>
Conductor cross section stranded min.	0.14 mm <sup>2</sup>
Conductor cross section stranded max.	1 mm <sup>2</sup>
Conductor cross section AWG/kcmil min.	26
Conductor cross section AWG/kcmil max	16
Stripping length	5 mm
Tightening torque	0.4 Nm

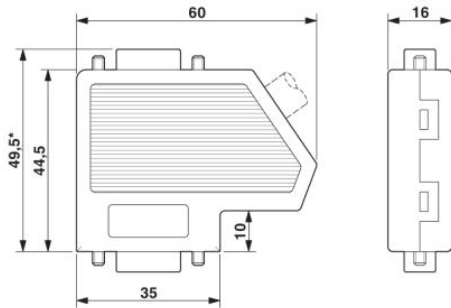
#### Accessories

Item	Designation	Description
<b>Tools</b>		
1204384	QUICK WIREFOX 6	Stripping tool for cables with PVC insulation, stripping range: 0.08 to 6 mm <sup>2</sup> , wire cutting up to 6 mm <sup>2</sup> flexible or 4 mm <sup>2</sup> rigid

## Diagrams/Drawings

Dimensioned drawing

---



**Address**

PHOENIX CONTACT Inc., USA  
586 Fulling Mill Road  
Middletown, PA 17057, USA  
Phone (800) 888-7388  
Fax (717) 944-1625  
<http://www.phoenixcon.com>



© 2011 Phoenix Contact  
Technical modifications reserved;