


VIP-PA-FLK50/ 0,5M/S7

Order No.: 2322443

<http://eshop.phoenixcontact.de/phoenix/treeViewClick.do?UID=2322443>

VIP VARIOFACE front adapter, with connected system cables for SMATIC S7-300, 1 x 32 channels can be connected, cable length: 0.5 m

Commercial data	
GTIN (EAN)	 4 046356 451888
sales group	I560
Pack	1 pcs.
Customs tariff	85444290
Catalog page information	Page 228 (IF-2011)

Product notes

WEEE/RoHS-compliant since:
12/18/2008



<http://www.download.phoenixcontact.com>
Please note that the data given here has been taken from the online catalog. For comprehensive information and data, please refer to the user documentation. The General Terms and Conditions of Use apply to Internet downloads.

Technical data	
General	
Note	Analog I/O cards: To avoid short-circuits, all bridges must be removed! No voltage supply may be supplied to the front adapter!

	Digital I/O cards: The front adapter is delivered non-isolated. By removing the bridges, electrical isolation (in groups of 8) can be obtained.
Nominal voltage U_N	< 50 V AC
	60 V DC
Channels which can be connected	32
Connection type, plug connector	Flat-ribbon cable plug connector in acc. with IEC 60603-13
Number of plug connectors	1
No. of positions, plug connector	50
Ambient temperature (operation)	-20 °C ... 50 °C
Ambient temperature (storage/transport)	-20 °C ... 70 °C
Max. permissible current	1 A (per path)
Standards/regulations	IEC 60664
Rated surge voltage / insulation	0.8 kV
Pollution degree	2
Surge voltage category	III
Supported controller	SIEMENS S7-300 / ET 200 M
Supported I/O card	CPU 312C
	CPU 313C
	CPU 313C-2PtP
	CPU 313C-2DP
	CPU 314C-2PtP
	CPU 314C-2DP
	321-1BL00-0AA0
	322-1BL00-0AA0
	323-1BL00-0AA0
	331-1KF01-0AB0
	331-7NF00-0AB0
	331-7NF10-0AB0
	331-7PF01-0AB0
	331-7PF11-0AB0
	332-5HF00-0AB0
	350-2AH01-0AE0
	357-4AH01-0AE0

Certificates / Approvals

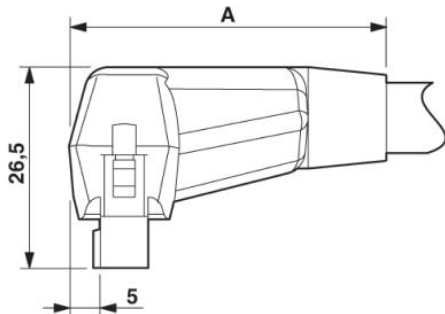


Certification

CUL, UL

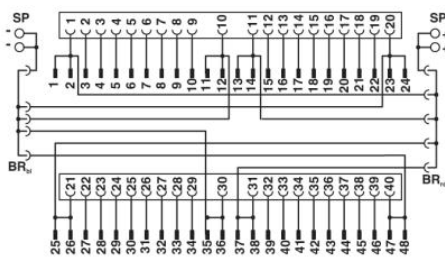
Diagrams/Drawings

Dimensioned drawing



	A
...FLK14...	37
...FLK50...	42

Circuit diagram



Address

PHOENIX CONTACT Inc., USA
586 Fulling Mill Road
Middletown, PA 17057, USA
Phone (800) 888-7388
Fax (717) 944-1625
<http://www.phoenixcon.com>



© 2011 Phoenix Contact
Technical modifications reserved;