

SUBCON-PLUS-CAN/SC2

Order No.: 2708999




<http://eshop.phoenixcontact.de/phoenix/treeViewClick.do?UID=2708999>

D-SUB connector, 9-pos. female connector, two cable entries < 35° to two terminal block rows, bus system: CAN, CANopen, SafetyBUS p up to 1 Mbps, termination resistor can be switched on via slide switch, pin assignment: 2, 3, 6, 7, 9; screw connection terminal blocks

Commercial data

| | |
|--------------------------|--|
| GTIN (EAN) |  4 046356 082341 |
| sales group | H631 |
| Pack | 1 pcs. |
| Customs tariff | 85366990 |
| Catalog page information | Page 572 (IF-2011) |

Product notes

WEEE/RoHS-compliant since:
05/09/2006



<http://www.download.phoenixcontact.com>
Please note that the data given here has been taken from the online catalog. For comprehensive information and data, please refer to the user documentation. The General Terms and Conditions of Use apply to Internet downloads.

Technical data

General data

| | |
|-----------------------|---------------------------|
| Nominal voltage U_N | 60 V AC/DC |
| Nominal current I_N | 1 A |
| Bus system | CAN, CANopen, SafetyBus-P |

| | |
|---------------------------------|-------------------|
| Insertion/withdrawal cycles | > 200 |
| Max. cable diameter | 8.4 mm |
| Min. cable diameter | 7.6 mm |
| SUBCON fixing screws | 4-40 UNC |
| Tightening torque | 0.4 Nm |
| Ambient temperature (operation) | -20 °C ... 75 °C |
| Housing material | ABS, metal-plated |
| Pin assignment | 2, 3, 6, 7, 9 |
| Width | 16.6 mm |
| Height | 39.4 mm |
| Length | 58 mm |

Connection data

| | |
|--|-------------------------------------|
| Connection | D-SUB connection |
| Number of positions | 9 |
| Connection method | D-SUB socket |
| Termination resistor | 120 Ω (Can be connected externally) |
| Connection | PCB connection |
| Connection method | Screw connection |
| Conductor cross section solid min. | 0.14 mm ² |
| Conductor cross section solid max. | 1.5 mm ² |
| Conductor cross section stranded min. | 0.14 mm ² |
| Conductor cross section stranded max. | 1 mm ² |
| Conductor cross section AWG/kcmil min. | 26 |
| Conductor cross section AWG/kcmil max | 16 |
| Stripping length | 5 mm |
| Tightening torque | 0.4 Nm |

Certificates / Approvals



Certification

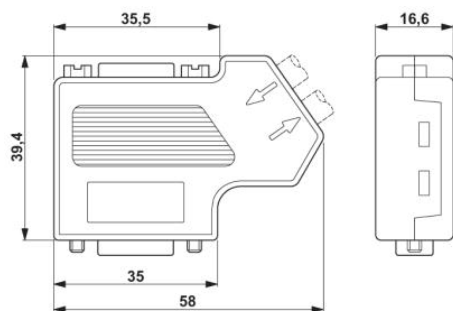
CUL, UL

Accessories

| Item | Designation | Description |
|----------------|-----------------|--|
| General | | |
| 1205150 | SZK PH1 VDE | Screwdriver, PH crosshead, VDE insulated, size: PH 1 x 80 mm, 2-component grip, with non-slip grip |
| Tools | | |
| 1204384 | QUICK WIREFOX 6 | Stripping tool for cables with PVC insulation, stripping range: 0.08 to 6 mm ² , wire cutting up to 6 mm ² flexible or 4 mm ² rigid |
| 1204504 | SZF 0-0,4X2,5 | Actuation tool, for ST terminal blocks, also suitable for use as a bladed screwdriver, size: 0.4 x 2.5 x 75 mm, 2-component grip, with non-slip grip |

Diagrams/Drawings

Dimensioned drawing



Address

PHOENIX CONTACT Inc., USA
586 Fulling Mill Road
Middletown, PA 17057, USA
Phone (800) 888-7388
Fax (717) 944-1625
<http://www.phoenixcon.com>



© 2011 Phoenix Contact
Technical modifications reserved;