

# SUBCON-PLUS-PROFIB


Order No.: 2744348

The illustration shows the product versions SUBCON-PLUS-PROFIB .. and SUBCON-PLUS-PROFIB/PG/...



<http://eshop.phoenixcontact.de/phoenix/treeViewClick.do?UID=2744348>

D-SUB connector, 9-pos., male connector, two cable entries < 35°, bus system: PROFIBUS DP up to 12 Mbps, termination resistor can be switched on via slide switch, pin assignment: 3, 5, 6, 8; spring-cage connection terminal blocks

Commercial data	
GTIN (EAN)	
sales group	H631
Pack	1 pcs.
Customs tariff	85366990
Catalog page information	Page 162 (AX-2011)

#### Product notes

WEEE/RoHS-compliant since:  
09/27/2006



<http://www.download.phoenixcontact.com>  
Please note that the data given here has been taken from the online catalog. For comprehensive information and data, please refer to the user documentation. The General Terms and Conditions of Use apply to Internet downloads.

Technical data	
<b>General data</b>	
Nominal voltage $U_N$	60 V AC/DC
Nominal current $I_N$	1 A
Bus system	PROFIBUS DP

Insertion/withdrawal cycles	> 200
Max. cable diameter	8.4 mm
Min. cable diameter	7.6 mm
SUBCON fixing screws	4-40 UNC
Tightening torque	0.4 Nm
Ambient temperature (operation)	-20 °C ... 75 °C
Ambient temperature (storage/transport)	-25 °C ... 80 °C
Housing material	ABS, metal-plated
Pin assignment	3, 5, 6, 8
Width	16 mm
Height	49.5 mm
Length	60 mm

**Connection data**

Connection	D-SUB connection
Number of positions	9
Connection method	D-SUB connector
Termination resistor	220 Ω (Can be connected externally)
Connection	PCB connection
Connection method	Spring-cage connection
Termination resistor	390 Ω (Can be connected externally)
Conductor cross section solid min.	0.12 mm <sup>2</sup>
Conductor cross section solid max.	0.5 mm <sup>2</sup>
Conductor cross section AWG/kcmil min.	28
Conductor cross section AWG/kcmil max	20
Stripping length	5 mm
Tightening torque	0.4 Nm

**Certificates / Approvals**



Certification

CUL, GOST, UL

### Accessories

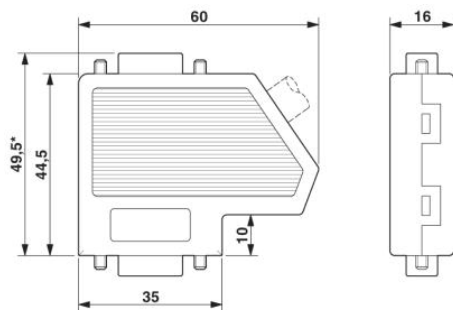
Item	Designation	Description
------	-------------	-------------

#### Tools

2744623	PSM-STRIP-FC/PROFIB	Quick stripping tool for PROFIBUS cable, type Fast Connect
1204384	QUICK WIREFOX 6	Stripping tool for cables with PVC insulation, stripping range: 0.08 to 6 mm <sup>2</sup> , wire cutting up to 6 mm <sup>2</sup> flexible or 4 mm <sup>2</sup> rigid

### Diagrams/Drawings

Dimensioned drawing



**Address**

PHOENIX CONTACT Inc., USA  
586 Fulling Mill Road  
Middletown, PA 17057, USA  
Phone (800) 888-7388  
Fax (717) 944-1625  
<http://www.phoenixcon.com>



© 2011 Phoenix Contact  
Technical modifications reserved;